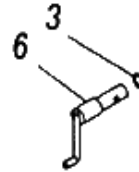
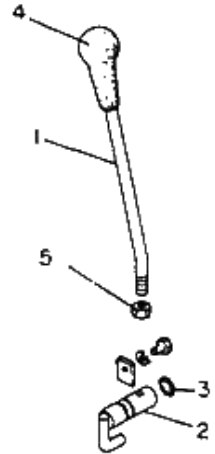




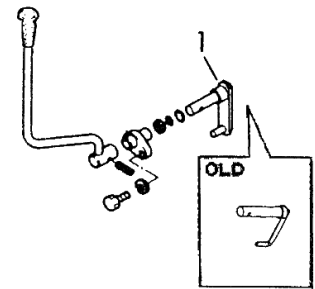
## Hi-Lo Shift Levers

- SL-2751** Shift lever rod 240, 1700, 2000 Repl. 194150-27510 (1)
- SL-4150** Hi-Lo shift lever 195, 240, 1700, 2000 Repl. 194150-27530 (2)
- OR-160** O-ring for SL-4130 & SL-4150 Hi-Lo shift lever (3)  
Repl. 24311-000160
- SK-855** Shift lever knob 1500, 1700, 2000 (4)  
Repl. 194990-85561
- M12NUT** Shift lever rod nut (5)
- SL-4130** Hi-Lo shift lever 2200, 2500, 3000 Repl. 194130-27530 (6)



## PTO Speed Shift Arm

- SL-4370** PTO speed shift arm 330, 2500, 3000 Repl. 194370-27830  
(Old # 194145-27830)



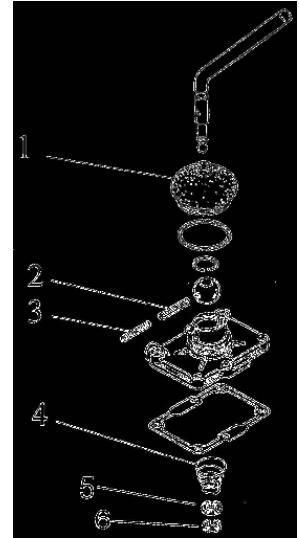
## Transmission Bearings

- 5305-2RS** Bearing, sealed 2500 transmission Repl. 24512-053054  
(old # 194200-25581 & 194080-08140)
- 5306-2RS** Bearing, sealed 330, 3000 transmission Repl. 24512-053064  
(old # 194145-24380)



## Transmission Shifter Repair Parts

- SB-4065** Shifter boot 195, 240, 1300, 1500, 1502, 1600, (1)  
1700, YMG1800, 1802, 1900, 2000, YMG2000, 2002,  
2310, 2500, 2620, 2820, 3000, 3110, 3810, 4500  
Repl. 194065-27360 (old# 194080-27252)
- RP-640** Roll pin, outer YMG1800, 1802, YMG2000, (2)  
2002, 2202, 2210, 2310, 2402, 2610, 2620,  
2820, 3110, 3810, F24 Repl. 22351-060040
- RP-40** Roll pin, inner YMG1800, 1802, YMG2000, (3)  
2002, 2202, 2210, 2310, 2402, 2610, 2620, 2820, 3110,  
3810, F24 Repl. 22351-035040 (old # 194310-27240)
- RP-50** Roll pin, trans shifter 195, 240, 1500, 1502, (2)  
1600, 1700, 1900, 2000, 2500, 3000  
Repl. 22351-050040 (old # 22352-050040)
- TSS-4422** Trans. shifter spring 220, 250, 276, 1601, 1702, 1720, (4)  
YMG1800, 1802, YMG2000, 2001, 2002, 2202,  
2301, 2402, F20, F22, F24 Repl. 194422-27230
- TW-500** Washer, trans. spring 1502, 1600, 1601, YMG1800, 1802, 1900, (5)  
YMG2000, 2001, 2002, 2210, 2301, 2610, 2620, 2820, 3110, 3220,  
3810, 4220, 4300, 4500 Repl. 194500-27150 (old # 194080-27190)  
**1500, 1700, 2000** Repl. 194190-27190
- TSS-4310** Trans shifter spring 2210, 2610, 3110, 3810, 4500 Repl. 194310-27220 (4)
- TSS-2717** Transmission shifter spring 195, 240, 330, 336, 1500, (4)  
1502, 1600, 1700, 1900, 2000, 2500, 2620,  
2820, 3000, 3220, 4220, 4300 Repl. 194080-27172  
**1100, 1300, 1301, 1401** Repl. 194200-27160
- EC-100** E-clip 1502, 1601, 1802, 2001, 2002, 2301, 2610, (6)  
2620, 2820, 3220, 3810, 4220, 4300 Repl. 22272-000100
- SR-120** Snap ring 1100, 1300, 1301, 1401, 1500, 1600, 1700, YMG1800, (6)  
1900, 2000, YMG2000, 2210, 3110, 4500 Repl. 22242-000120



### Shift Lever Guide

- SLG-4150** Shift lever guide 195, 240, 1600, 1700, 1900, 2000  
Repl. 194150-27260



## Shift Forks, Transmission and PTO

**SF-12** Shift fork, 1 - 2 for 195, 240, 1600, 1700,  
1900, 2000 Repl. 194150-27310 (3)

**SF-35** Shift fork, 3 - 5 for 195, 240, 1600, 1700,  
1900, 2000 Repl. 194150-27320 (4)

**SF-13** Shift fork, 1 - 3 for 330, 2200, 2500, 2700, (4)  
3000 Repl. 194130-27310

**SF-4150** Fork, Hi-Lo shift 195, 240, 1600, 1700,  
1900, 2000 Repl. 194150-27610 (2)

**SL-4150** Hi-Lo shift lever 195, 240, 1700, 2000  
1900, 2000 Repl. 194150-27530 (22)

**OR-160** O-ring for Hi-Lo shift lever  
Repl. 24311-000160

**SF-2733** Reverse shift fork 195, 240, 1600, 1700,  
1900, 2000 Repl. 194150-27330

**OR-110** O-ring Repl. 24311-000110 (33)

**RP-320** Roll pin Repl. 22351-030020 (42)

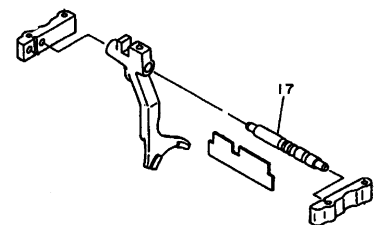
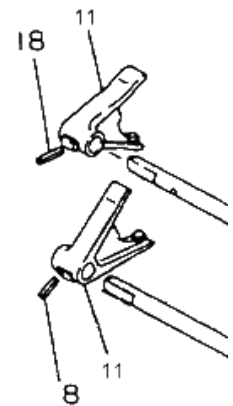
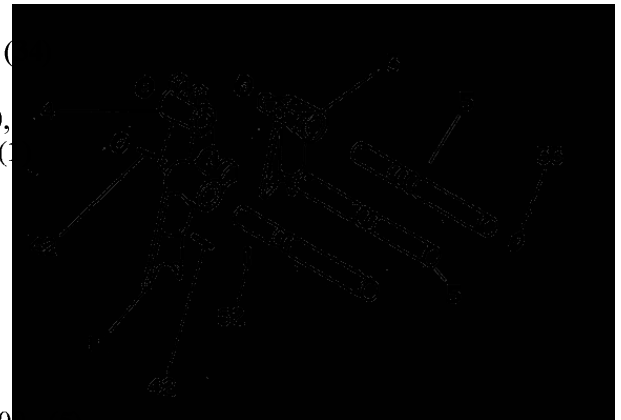
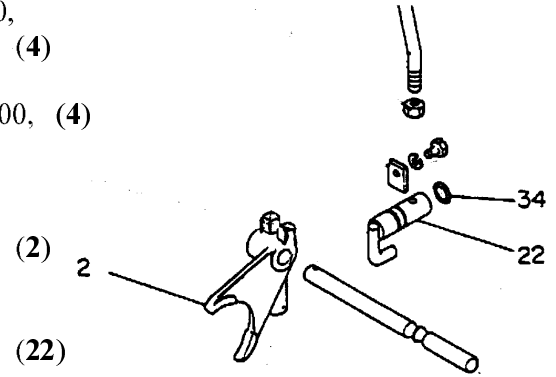
**RP-412** Roll pin Repl. 22351-040012 (52)

**SR-4145** Shift rail for 1-3 & 2-4, 330, 2500, 3000 (5)  
Repl. 194145-27210

**SF-4555** PTO shift fork F20, FX20, F22, FX22, F24, FX24, FX26 (11)  
FX28, FX32, FX42, F215, FX215, F235, FX235, F255,  
FX255, FX285, FX305, FX335, FX435  
Repl. 194555-27740

**RP-625** Roll pin Repl. 22351-060025 (8)

**SR-4330** Shift rail C-1-2 for 2610, 3110, 3810 (17)  
Repl. 1964330-27520 (old 194320-27520)



Continued on next page

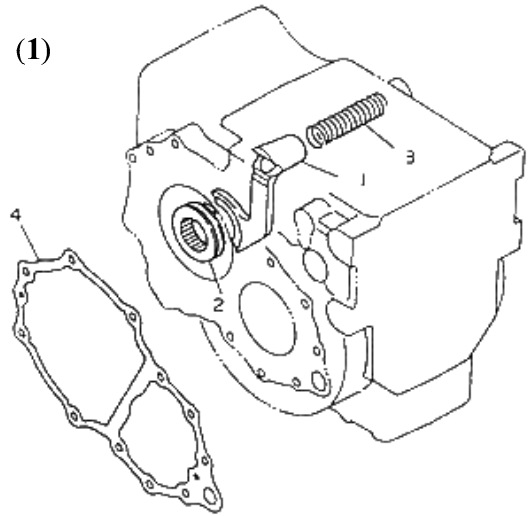
Continued from previous page

**SF-4430** Shifter fork YMG1800, 1802, 1810, 1820, (1)  
YMG2000, 2002 Repl. 194430-33140

**DL-4361** Differential lock (2)  
YMG1800, 1802, 1810, 1820,  
YMG2000, 2002 Repl. 194361-33100

**DLS-4150** Differential lock return spring 1700, (3)  
YMG1800, 1802, 1810, 1820, 2000,  
YMG2000, 2002 Repl. 194150-33150

**RAHG-4420** Rear axle housing gasket 226, 1610 (4)  
YMG1800, 1810, YMG2000  
Repl. 194420-32620

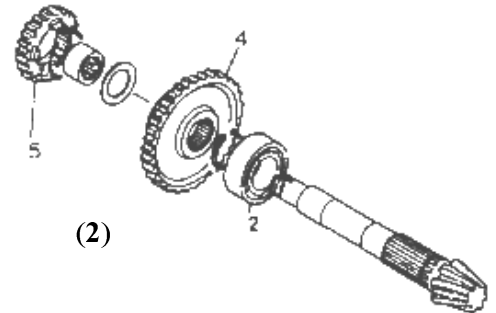


### Hi-Lo Gears

**5206-2RS** Bearing, trans. output shaft 1500, 1700, 2000 (2)  
Repl. 194150-31460 & 24512-052064

**TG-2551** Hi-Lo gear 240, 1700, 2000 Repl. 194150-25514 (51 teeth) (4)

**TG-2585** Hi-Lo gear 240, 1700, 2000 Repl. 194150-25852 (OD-28 teeth) (5)



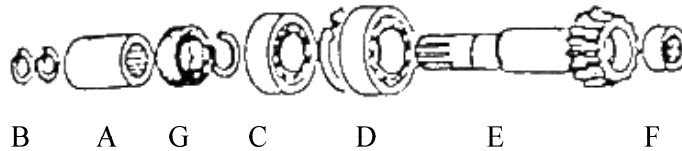
### PTO GEAR

**SC-2618** Splined shaft connector w/snap ring 1600, 1700, 1900, (2)  
2000 Repl. 194190-26180

**PTOG-4150** PTO gear 1600, 1700, 1900, 2000 (3)  
Repl. 194150-26211

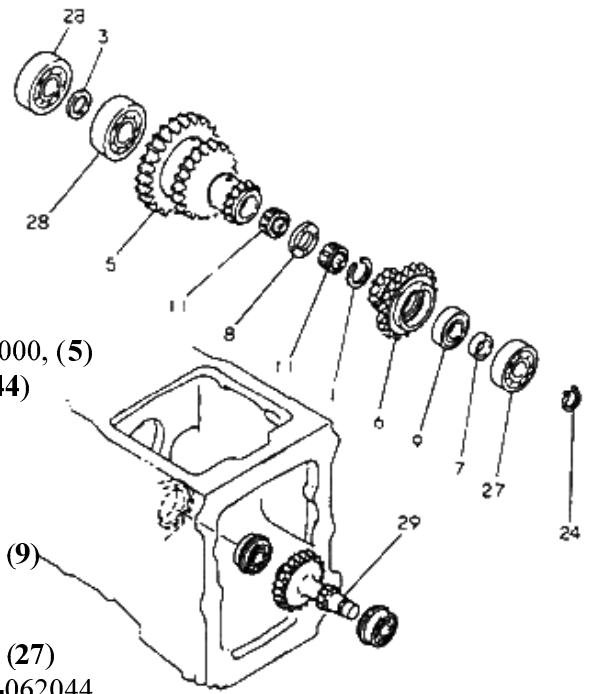
**6304-2RS** Bearing 1600, 1700, 1900, 2000  
Repl. 24101-063044

## Transmission Parts

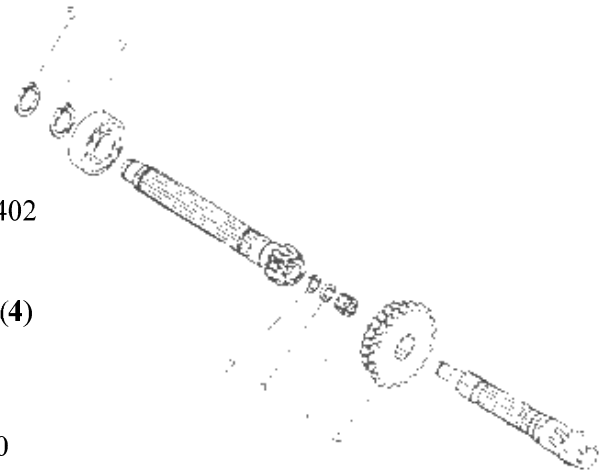


<b>SC-2618</b>	Splined shaft connector w/snap ring 195, 226, 240, 1500, 1600, 1601, 1700, 1900, 2000, 2001, 2010, 2202, 2210, 2220, 2301, 2310, 2402, 2420, 4300, F17, FX17, F18, FX18 Repl. 194190-26180 (Old # 194150-25220 & 194310-25100)	<b>(A)</b>
<b>SC-2522</b>	Splined shaft connector w/snap ring 336, 2200, 2500, 2700, 2610, 2620, 2820, 3000, 3110, 3220, 3810, 4220 Repl. 194110-25220 ( <b>L = 38mm</b> )	<b>(A)</b>
<b>SC-4300</b>	Splined shaft connector w/snap ring 186, 187, 220, 250, 1510, 1610, 1702, 1720, YMG1800, 1802, 1810, 1820, YMG2000, 2002 Repl. 794300-25100 (old # 194300-25100)	<b>(A)</b>
<b>SR-17</b>	Snap ring for SC-2618 Repl. 22252-000170	<b>(B)</b>
<b>20x35x7TC</b>	Seal Repl. 194150-27810	<b>(G)</b>
<b>6204-2RS</b>	Ball bearing, sealed Repl. 24101-62044	<b>(C)</b>
<b>6205-2RS</b>	Ball bearing, sealed Repl. 24101-062054	<b>(D)</b>
<b>TS-261</b>	Input shaft, transmission 1500 w/bearing Repl. 194190-26101	<b>(E)</b>
<b>NB-4190</b>	Needle bearing for TS-261, Repl. 194190-26170	<b>(F)</b>
<b>SC-4110</b>	Splined coupler 330 Repl. 794110-25220	<b>(A)</b>
<b>SC-4640</b>	Splined coupler FX26, FX28, FX32, FX32D, F37D, FX42, FX42D, F46D, FX285, FX305 Repl. 194640-26130	<b>(A)</b>
<b>SC-4555</b>	Splined coupler F20, FX20, F24, FX24, FX26D, FX28D, FX32D, FX42D Repl. 194555-26520	<b>(A)</b>

- PTOW-4190** Thrust spacer 1702, 1720, 1802, (3)  
1810, 2002 Repl. 194190-26840
- TG-4430** Gear YMG1800, 1802, 1810, 1820, YMG2000, (5)  
2002 Repl. 194430-25171 (teeth 15 / 26 / 44)
- SG-3615** Gear (15-36) teeth 1610, 1610D (6)  
Repl. 194420-25180
- 6004-2RS** Ball bearing 1702, 1720, YMG1800, 1810, (9)  
YMG2000 Repl. 24101-060044
- 6204-2RS** Ball bearing 1610, 1702, 1720, YMG1800, (27)  
1802, 1810, YMG2000, 2002 Repl. 24101-062044
- 6205-2RS** Ball bearing 1610, 1702, 1720, YMG1800, (28)  
1802, YMG2000, 2002 Repl. 24101-062054
- TG-2575** Gear 1702, 1720, YMG1800, 1802, 1810, (29)  
YMG2000, 2002 Repl. 194430-25751 (teeth 10 / 26)
- SG-2610** Gear 1610, 1610D Repl. 194420-25750 (29)  
(Teeth 10/26)

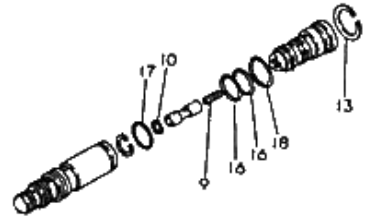


- NB-2583** Needle bearing 1702, 1720, YMG1800, (1)  
1802, 1810, YMG2000, 2002, 2202, 2210, 2402  
Repl. 194310-25830
- TG-2739** Gear (27-39 teeth) YMG1800, 1802, 1810, (4)  
1820, YMG2000, 2002 Repl. 194430-25960
- RG-2596** Gear, 2<sup>nd</sup> & 3<sup>rd</sup> reduction – 1601, 1610, (4)  
1702, 1720 (27-39 teeth) Repl 194420-25960
- SR-40** Snap ring YMG1800, 1802, YMG2000, 2002 (5)  
Repl. 22242-000400
- 6008-2RS** Ball bearing Repl. 24101-060084 (6)



## Transmission Relief Valve Spring

**RVS-4555** Trans relief valve spring FX20, FX22, FX24 (9)  
Repl. 194555-24670



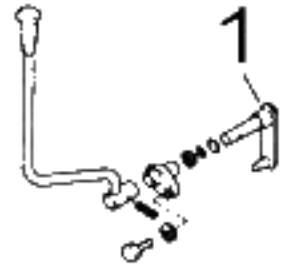
## PTO Pinion Shaft Bearing

**5305-2RS** Bearing, PTO pinion shaft 330, 336, 2500, 2610, 3000, 3110  
Repl. 24512-053054 (old # 194080-08140)

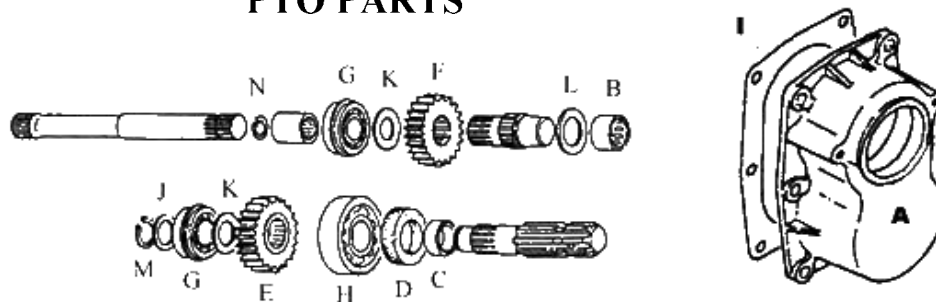


## PTO Shifter Parts

**SL-4730** PTO speed shift arm 330, 2500, 3000 (1)  
Repl. 194370-27830 (old # 194145-27830)



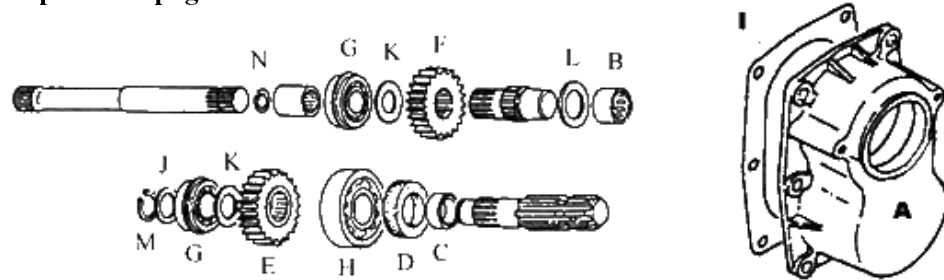
## PTO PARTS



- PT-1500** PTO cover w/ needle bearing (NB-4162) for YM**1500** (A)  
Repl. 194190-25361
- NB-4162** Needle bearing for PT-1500 Repl. 24162-253320 & 194190-25430 (B)
- SC-1500** PTO shaft collar (collar that seal rides on) 186, 226, 1500, 1502, (C)  
1601, 1602, 1610, F16, FX17, F18, FX18, F165D Repl. 195040-13320
- 38x58x11TC** PTO seal – YM**1500** Repl. 194151-39360 (D)
- PG-2676** PTO gear – 21 tooth (Lower) **1500** Repl. 194190-26761 (F)
- PG-2682** PTO gear – 22 tooth (Upper) **1500** Repl. 194190-26821 (E)
- 6205-2RSNR** Ball bearing, sealed **1500** Repl. 792010-99570 (G)
- 6206-2RSNR** Ball bearing, sealed w/snap ring **2210** PTO Repl. 24121-062064 (G)
- 6206-2RS** Ball bearing, sealed 226, 1300, F17 Repl. 24101-062064 (H)
- 6306-2RS** Ball bearing, sealed 1500 Repl. 24101-063064 (H)
- SC-4130** PTO shaft collar (collar that seal rides on) 330, YMG1800, (C)  
1802, 1810, 1820, YMG2000, 2002, 2020, 2202, 2220,  
2310, 2402, 2420, 2500, 2610, 2620, 2700, 2820, 3000,  
3110, 4300, 4500, F24, FX24, FX26, FX28 Repl. 194130-33452
- 42x60x9TC** PTO seal 330, YMG1800, 1802, 1810, 1820, YMG2000, (D)  
2001, 2002, 2010, 2020, 2200, 2202, 2220, 2301, 2310, 2402,  
2420, 2500, 2610, 2620, 2700, 2820, 3000, 3110, 3220, 4220, 4300,  
4500, F20, F22, F24, FX24, FX26, FX28 Repl. 194130-26350
- 35x55x11TC** PTO seal 195, 240, 1600, 1700, 1900, 2000, (D)  
2210, 2210B Repl. 24421-355511

Continued next page

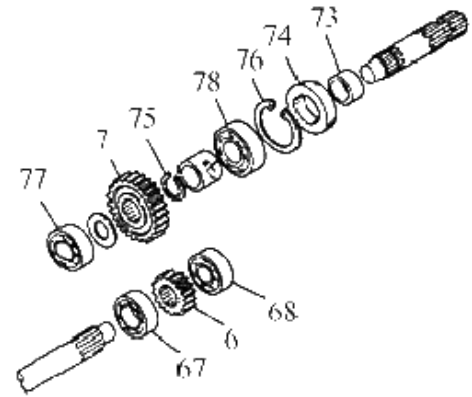
Continued from previous page



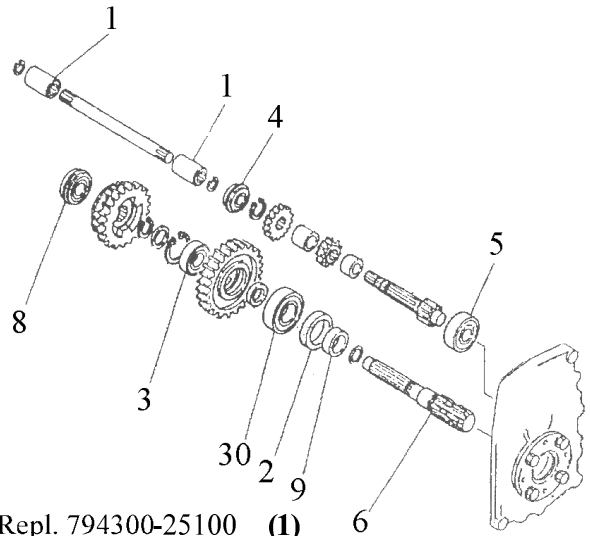
- 40x62x8TC** PTO seal 135, 155, 165, 169, 1100, 1300, 1301, 1401, F14, F15, FF145D, FF155D Repl. 24421-406208 (old # 195140-13660) (D)
- 38x58x11TC** PTO seal – YM1500 Repl. 194151-39360 (D)
- 38x55x8TC** PTO seal 186, 226, 1601, 1610, 1720 Repl. 24421-385508 (Old # 194990-52600) (D)
- 40x55x8TC** PTO seal 1110, 1510 Repl. 24421-40550 (D)
- 38x50x8TC** PTO seal 187, 1602, F16, F17, F18, F165D Repl. 194197-24370 (D)
- PTOG-4190** Gasket for PTO cover fits YM1500 Repl. 194190-25370 (I)
- PTOW-4190** Spacer washer 1500 Repl. 194190-26840 (J)
- PTOW-2637** PTO washer 1500 Repl. 194190-26730 (K)
- PTOW-2854** PTO spacer 1500 Repl. 194191-28540 (L)
- SR-25** Snap ring Repl. 22242-000250 (M)
- SR-22** Snap ring Repl. 22252-000220 (N)

## PTO Parts for YM1300

<b>PTOG-14</b>	Gear, PTO lower 1300 Repl. 194200-26390	(6)
<b>PTOG-25</b>	Gear, PTO upper 1300 Repl. 194200-26420	(7)
<b>6205-2RS</b>	Bearing Repl. 24101-062054	(67)
<b>6304-2RS</b>	Bearing Repl. 24101-063044	(68)
<b>40x62x8TC</b>	Seal, PTO 1300 Repl. 194140-13660	(74)
<b>SR-30</b>	Snap ring Repl. 22242-000300	(75)
<b>SR-62</b>	Snap ring Repl. 22252-000620	(76)
<b>6205-2RS</b>	Bearing Repl. 24101-062054	(77)
<b>6206-2RS</b>	Bearing Repl. 24101-062064	(78)



## PTO Parts for YM1110 & YM1510



<b>SC-4300</b>	Coupler (15 spl) Repl. 794300-25100	<b>(1)</b>
<b>40x55x8TC</b>	PTO seal Repl. 24421-405508	<b>(2)</b>
<b>6005-2RS</b>	Ball bearing, sealed Repl. 24101-060054	<b>(3)</b>
<b>6203-NR</b>	<b>Not supplied at this time</b>	<b>(4)</b>
<b>6304-2RS</b>	Ball bearing, sealed Repl. 24104-063044	<b>(5)</b>
<b>PTO-1510</b>	PTO shaft Repl. 194300-26311	<b>(6)</b>
<b>6204-2RSNR</b>	Ball bearing, sealed w/snap ring	<b>(8)</b>
<b>SC-1510</b>	Seal collar Repl. 194300-26390	<b>(9)</b>
<b>6206-2RS</b>	Ball bearing, sealed Repl. 24101-062064	<b>(30)</b>

## PTO parts for YM 2610, 3110

<b>42x60x9TC</b>	PTO seal Repl. 194130-26350	<b>(2)</b>
<b>PTO-4320</b>	PTO shaft Repl. 194320-26310	<b>(6)</b>
<b>SC-4130</b>	Seal collar Repl. 194130-33452	<b>(9)</b>

## PTO PARTS

- SR-20** Snap ring 1601, 1610, 1702, 1720 Repl. 22242-000200 **(4)**
- 6304-2RS** Bearing 186, 187, 1601, 1602, 1610, 1702, 1720 Repl. 24101-063044 **(5)**  
Bearing 226 Repl. 194361-26120 **(5)**
- 6203-2RS** Bearing 186, 187, 1602 Repl 24101-62034 **(6-1)**
- 6204-2RSNR** Bearing w/**snap ring** 1601, 1610 **(6)**  
Repl. 24121-062044
- 6204-2RS** Bearing 226, 1601, 1610 Repl. 24101-062044 **(6-1)**
- SC-1500** Collar, PTO seal 186, 226, 1601, 1602, 1610, 1702, **(7)**  
1720 Repl. 195040-13320
- 38x50x8TC** PTO seal 187, 1602 Repl. 194197-24370 **(9)**
- 38x55x8TC** PTO seal 186, 226, 1601, 1610, 1702, 1720 **(9)**  
Repl. 24421-385508 (Old # 194990-52600)
- SR-29** Snap ring 186, 226, 1601, 1602, 1610 Repl. 22242-000290 **(12)**
- SR-550** Snap ring 186, 226, 1601, 1610 Repl. 22252-000550 **(13)**
- 6006-2RS** Bearing 186, 226, 1601, 1610 Repl. 24101-060064 **(14)**
- Continued on next page**

Continued from previous page

**6206-2RS** Bearing 186, 226, 1601, 1610, 1702, 1720 **(15)**  
Repl. 24101-062064

**6204-2RSNR** Bearing w/**snap ring** 186 Repl. 24121-062044 **(16)**

**6204-2RS** Bearing 186, 1602 Repl. 24101-062044 **(16-1)**

**6205-2RSNR** Bearing w/**snap ring** 1601, 1610 **(16)**

**6205-2RS** Bearing 226, 1601, 1610 Repl. 24101-062054 **(16-1)**

**6304-2RS** Bearing 1702, 1720 Repl. 24101-063044 **(16)**

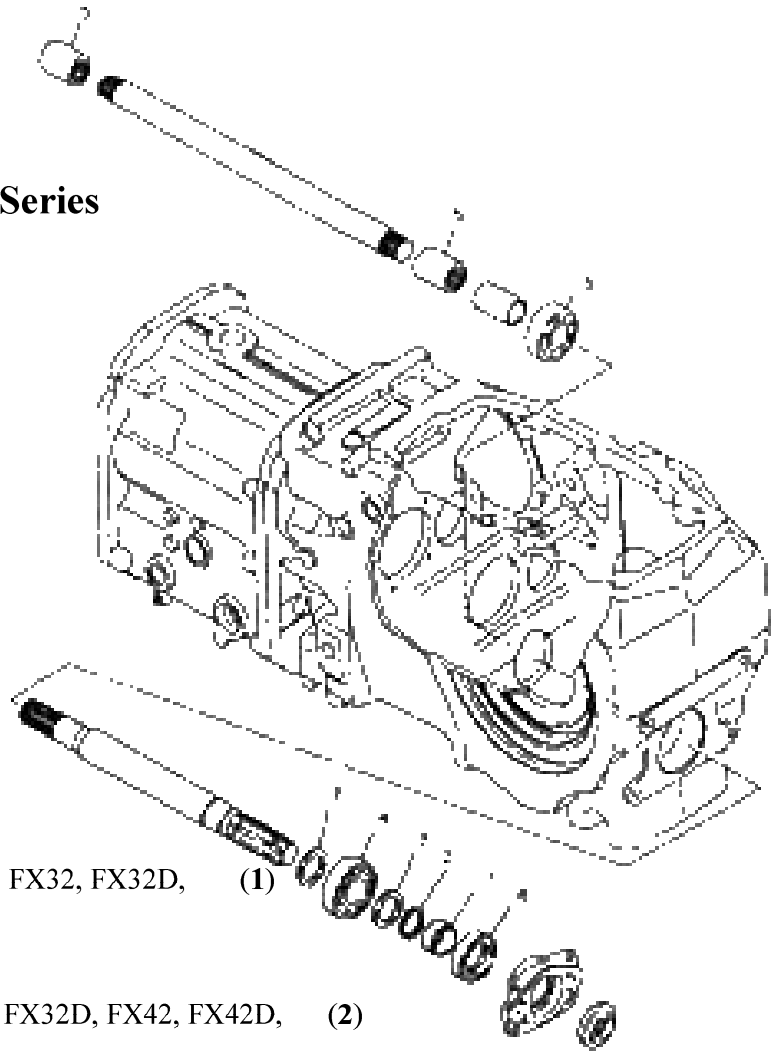
### **PTO Shaft & parts**

**PTO-4320** PTO shaft 2610, 3110 Repl. 194320-26310

**SC-4130** Collar, seal 2610, 3110 Repl. 194130-33452

**42x60x9TC** Seal 2610, 3110 Repl. 194130-26350

## PTO Parts for F-Series



- SC-4130** Seal collar FX26, FX28, FX32, FX32D, (1)  
FX42, FX42D  
Repl. 194130-33452
- SR-34** Snap ring for brg FX32, FX32D, FX42, FX42D, (2)  
FX335, FX435  
Repl. 22242-000340
- 6206-2RS** Bearing FX32, FX32D, FX42, FX42D, (3)  
FX335, FX435  
Repl. 24101-062064
- 6207-2RS** Bearing, PTO FX32, FX32D, FX42, FX42D, (4)  
FX335, FX435  
Repl. 24101-062074
- PTOW-4640** Spacer washer FX32, FX32D, FX42, FX42D, (7)  
FX335, FX435  
Repl. 194640-26330
- 42x60x9TC** PTO seal early FX26, FX28, FX32, (8)  
FX32D, FX42, FX42D  
Repl. 194130-26350
- 35x60x19QLF** PTO Seal late FX26, FX28, FX335, FX435 (8)  
Repl. 194370-26350

## Transmission and PTO Gaskets

**TG-2432** Transmission gasket 336, 2610, 3110, (1)  
3810 Repl. 194320-24320

**TG-2433** Transmission gasket 336, 2610, 2620, 2820, (2)  
3110, 3220, 3810, 4220 Repl. 194320-24330

**TG-4170** Transmission gasket 276, 2020, 2220, 2420 (2)  
Repl. 194170-24180

**TG-2418** Transmission gasket 226, 1610, 1720, 1810, (2)  
1820 Repl. 194420-24180

**TG-2417** Transmission gasket 226, 1610, 1720, 1810, (1)  
1820 Repl. 194420-24170

**TG-4312** Transmission gasket 2010, 2310 Repl. 194312-24180 (2)

**TG-4310** Bell housing to trans block 2210, 2310 Repl. 194310-24180 (1)

**TG-2112** Transmission gasket 2210 Repl. 194310-21120 (2)

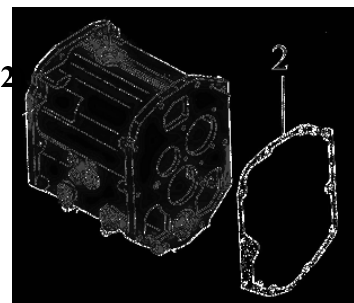
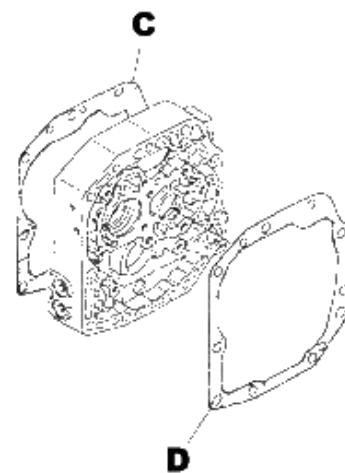
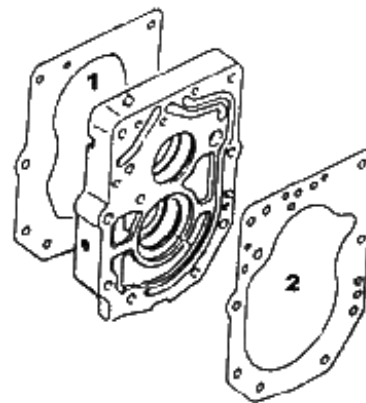
**TG-1945** Transmission gasket FX20, FX22, FX24, (C)  
FX235, FX255 Repl. 194555-24170

**TG-4321** Transmission gasket FX26, FX28, FX32, FX42, (C)  
FX335, FX435 Repl. 194640-24321

**TG-4555** Transmission gasket FX20, FX22, FX24, (D)  
FX235, FX255 Repl. 194555-24180  
F20, F22, F24, F235, F255 Repl. 194605-24120

**TG-4640** Transmission gasket FX26, FX28, FX32, FX42, (D)  
FX335, FX435 Repl. 194640-24331

**TG-4120** Gasket, rear trans housing FX26, FX28, FX32, FX42, (2)  
FX335D, FX435D Repl. 194640-24120



Continued on next page

**Continued from previous page**

**PSG-2451** Power shift cover (regulator) gasket 1510, 1610, 1702, 1720, 1810, 2010, 2310  
Repl. 194300-24511

**TCG-4310** Power shift cover (regulator) gasket 336, 2210, 2610, 2620, 2820, 3110, 3220, 3810, 4220 Repl. 194310-24510

**22x35x8TC** Seal, power shift pump 1510, 1610, 1810  
Repl. 24423-223508 (old # 194262-15140)

**25x42x8TC** Seal, power shift pump 2010, 2210  
Repl. 24423-254208 (old # 194310-25060)

**30x47x8TC** Seal, power shift pump 2610, 3220, 4220  
Repl. 194320-24480

**PSPG-2441** Power shift pump gasket 2020, 2220, 2310, 2420 Repl. 194312-24410

**TG-2441** Power shift pump gasket 226, 1610, 1720, 1810, 1820, Repl. 194420-24410

**PSPG-2483** Power shift pump gasket 276, 2020, 2220, 2310, 2420 Repl. 194312-24830

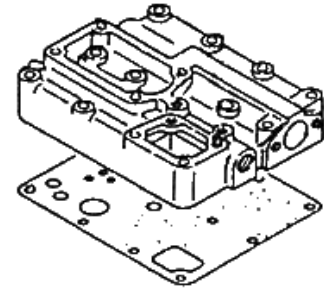
**TG-2483** Power shift pump gasket 226, 1610, 1720, 1810, 1820 Repl. 194420-24830

**PSPG-2210** Power shift pump gasket 2210  
Repl. 194310-24410

**PSPG-4310** Power shift pump gasket 2210  
Repl. 194310-24830

**PSPG-4320** Power shift pump gasket 336, 2610, 3810  
Repl. 194320-24430

**PSPG-2610** Power shift pump gasket 336, 2610, 3810  
Repl. 194310-24830

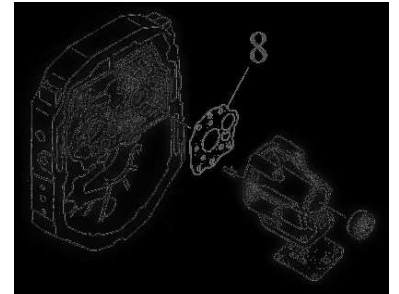


**Continued on next page**

Continued from previous page

**PSPG-2442** Gasket, internal pump FX26, FX28, FX32, FX42 (6)  
Repl. 194640-24420

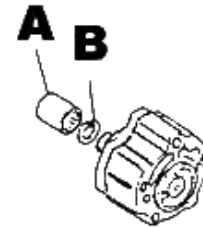
**PSPG-4640** Gasket, power shift valve FX26, FX28, FX32, FX42 (8)  
Repl. 194640-24820



**SC-2618** Coupler, power shift pump 2210, 2310 (A)  
Repl. 194190-26180 (Old 194310-25100 & 194150-25220)

**SR-17** Snap ring for SC-2618 Repl. 22252-000170 (B)

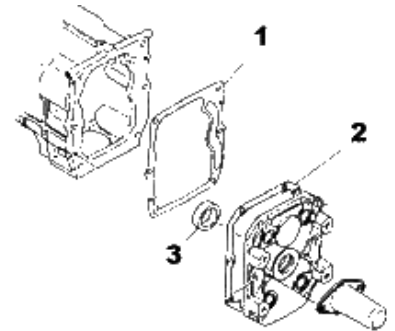
**SC-2522** Coupler, power shift pump 2610, 2620, 2820, (A)  
3220, 3810, 4220 Repl. 194110-25220 (L=38mm)



**SC-4300** Coupler, power shift pump 186, 226, 1110, (A)  
1510, 1610, 1810 Repl. 194300-25100

**TG-2412** Trans. Gasket 220, 226, 250, 1601, 1610, (1)  
1802, 2002 Repl. 194420-24120

**PTOG-2436** PTO cover plate gasket 1601, 1610, (2)  
YMG1800, 1802, YMG2000, 2002  
Repl. 194420-24360



**PTOG-4310** PTO cover plate gasket 2210 (2)  
Repl. 194310-24360

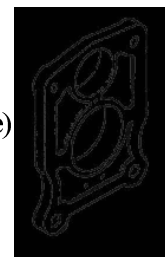
**38x55x8TC** PTO seal 186, 1601, 1610, 1702, 1720 (3)  
Repl. 24421-385508 (Old # 194990-52600)

**38x50x8TC** PTO seal F16, F17, F18, FX18, F165D, (3)  
187, 1602 Repl. 194197-24370

**35x60x19QLF** PTO seal F22, FX32, F37D, FX42, F46D, F215, (3)  
FX215, F235, F255, FX285, FX305  
Repl. 194370-26350

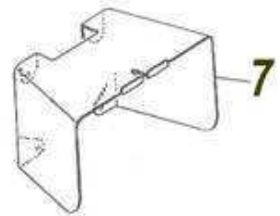
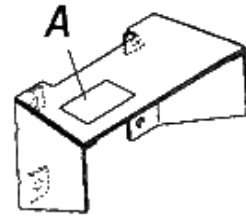
**PT-4150** Inner PTO plate 195, 240, 1700 **RED**, 2000 **RED**  
Repl. 194150-24451 (Plate has 3 – 20 mm and 1 – 18 mm hole)

**PT-2020** Inner PTO plate 1600, 1700 **GREEN**, 1900, 2000 **GREEN**  
(Plate has 4 – 20 mm holes) Repl. 194150-24450



## PTO Safety Shield

- PTOS-1314** PTO safety shield 1300, 1401
- PTOS-4197** PTO safety shield F18, F20, F22, F24, 140, 1600, 1700, 1900, 2000, 2210 Repl. 194197-26911
- PTOS-4420** PTO safety shield 1601, 1610, 1702, 1720, 1802, 1810, 1820, 2002, 2010, 2020, 2202, 2220, 2301, 2310, 2402, 2420 Repl. 194420-26910
- PTOS-4327** PTO safety shield 2500, 2610, 2620, 2820, (7) 3000, 3110, 3220, 3810, 4220 Repl. 194327-26910
- PTO-2** Decal – **CAUTION Overrunning Clutch MUST Be (A) Used With ALL High Energy Implements such as Rotary Cutters**

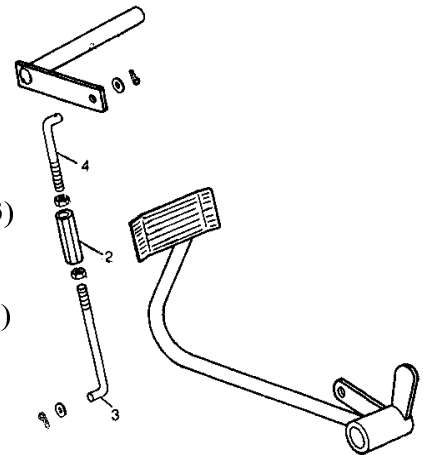


## PTO Shifter Block

- PTOB-2787** PTO shifter block, plastic – 2001, 2010, 2020, 2202, 2220, 2301, 2310, 2402, 2420 Repl. 194312-27870

## Clutch Linkage

- CR-740** Turnbuckle 186, 187, 1510, F14, F15, F16 (2) Repl. 194740-00322
- CR-4197** Rod, clutch, RH thread 186, 187, 1510, F14, F15, F16 (3) Repl. 194197-22320
- CR-4440** Rod, clutch, LH thread 186, 187, 1510, F14, F15, F16 (4) Repl. 194440-22460



## Clutch Linkage

**CR-2246** Clutch rod end – LH 195D, 220, 226, 240D, 250, 276, 336, 1500, 1600, 1601, 1610, 1700, **(1)**  
 YMG1800, 1802, 1810, 1820, YMG2000, 2001, 2002, 2020, 2202, 2210, 2301, 2402, 2500, 2610, 2620, 2820, 3000, 3110, 3220, 3810, 4220, 4500 Repl. 194150-22460

**BR-3776** Clutch rod end – LH 195, 240, **(1)**  
 1900, 2000 Red Repl. 194160-22460 (5-1/2" OAL)

**BR-100** Clutch rod end – LH (clevis type) 330, 4300, 4300D **(1)**  
 Repl. 194130-37740

**CP-118** Clutch rod clevis pin w/hair pin clip Repl. 194080-37781

**CR-2247** Clutch rod end – RH 195, 195D, 240, 240D, 1500, **(2)**  
 1600, 1700, 1900, 2000, 2210, 2210B, 2301, 2310 2610  
 Repl. 194150-22470

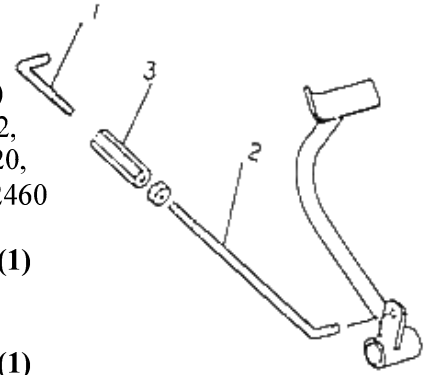
**CR-4420** Clutch rod 220, 226, 250, 1610, YMG1800, 1802, **(2)**  
 1820, YMG2000, 2002 Repl. 194420-22470

**CR-4145** Clutch rod, RH 2620, 2820, 3000, 3110, 3220, **(2)**  
 3810, 4220 Repl. 194145-22320

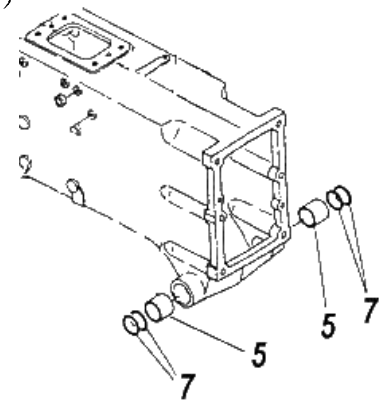
**BR-103** Clutch rod turnbuckle 10mm threads 195D, 220, 240D, **(3)**  
 250, 276, YMG1800, YMG2000, 2020, 2202, 2210,  
 2500, 3110, 3810, 4300  
 Repl. 194151-37730 (10mm X 90mm OAL)

**CR-740** Clutch rod turnbuckle 8mm threads 186, 187, 1510, F16 **(3)**  
 Repl. 194740-00322

**SB-2112** Clutch & brake shaft bushing 330, 336, 2500, 2620, **(5)**  
 2820, 3000 Repl. 194145-21120;  
 3220, 4220 Repl. 194327-37520



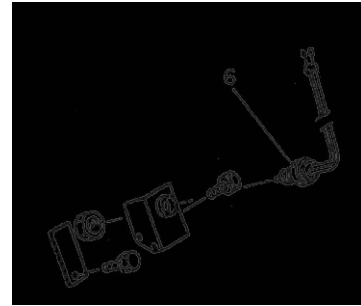
Clutch



## Clutch Safety Switch

**SS-4201** Clutch safety switch 1401 Repl. 194201-52160 (6)

**SS-4440** Clutch safety switch 122, 126, 140, 142, 146, 147, 165, 186, 195, 220, (6)  
226, 240, 250, 276, 336, 1502, 1510, 1601, 1602, 1610, 1700D, 1702,  
1720, YMG1800, 1802, 1810, 1820, YMG2000, 2001, 2002, 2010, 2020,  
2202, 2210B, 2220, 2301, 2310, 2402, 2420, 2500, 2610, 2620, 2820,  
3000, 3110, 3220, 4220, F18, FX18, F20, FX20, F22, FX22, F24, FX24,  
FX26, FX28, F37D, F46D, F215, FX215, F255, FX255, FX285, FX305,  
FX335, FX435  
Repl. 194197-52191 (old # 194440-52191)



## Clutch, Pressure Plates and Throw-Out Bearings

**CD-1314** Clutch disc, 7-1/8 x 27/32 x 19 spline, 135, 155, 1100, 1300, 1401 Repl. 194262-21400 & 794200-21400 (Old # 194340-21400) 140, 147, 165, 169, 180, 186 Repl. 194357-21400 (Old # 194500-21410)

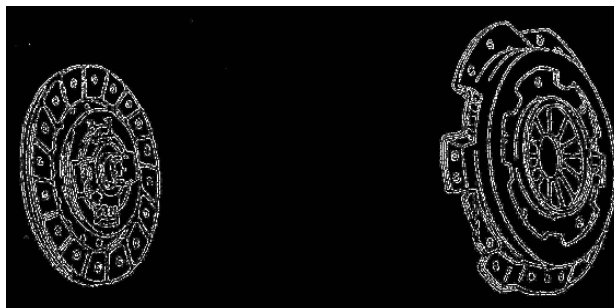


**CD-1075** Clutch disc, 7-1/8 x 3/4 x 10 spline, **1601, 1610** Repl. 194420-21400; **1301, 1502, 1510, 1602, F14, F15, F16, FF145D, FF155D, F165D** Repl. 194440-21400; **1702, 1720** Repl. 194510-21400

**PP-1314** Pressure plate 135, 155, 180, 186, 1100, 1300, 1401, 1702, 1720 Repl. 194262-21700; **169, 1301, 1502, 1510, 1601, 1602, 1610, F14, F15, F16, F17, FF145D, FF155D, F165D** Repl. **194440-21700**



**TO-4200** Clutch throw-out (release) bearing for 135, 155, 165, 169, 1100, 1300, 1301, 1401 Repl 194200-22180



**CD-4115** Clutch disc, 7-7/8" x 7/8" - 20 spline, 195, 220, 226, 240, 250, 276, 1500, 1600, 1700, 1810, 1900, 2000, 2001, 2010, 2210, 2210B, 2301, 2310 Repl. 194115-21400, 194312-21501, 194361-21400 & 794150-21400; **YMG1800, YMG2000** Repl. 194430-21400

**CD-2224** Clutch disc, 8" x 1"-13 spline **F22, FX22, F24, FX24, F195, FX195 F215, FX215, F235, FX235** Repl. 194555-21400; **1802, 1820, 2002** Repl. 194520-21400; **2020, 2202, 2220, 2402, 2420** Repl. 194550-21400 **F18, FX18, F20, FX20** Repl. 194535-21400

**PP-4115** Pressure plate -195, 220, 226, 240, 250, 276, 1500, 1600, 1700, YMG1800, 1802, 1810, 1820, 1900, YMG2000, 2000, 2001, 2002, 2010, 2020, 2202, 2210, 2210B, 2220, 2301, 2310, 2402, 2420, F18, FX18, F20, F22, FX22, F24, FX24, F195, FX195, F215, FX215, F235, FX235 Repl. 794150-21700

Continued on next page

Continued from previous page

**TO-4115** Clutch throw-out (release) bearing **YM1500 Red**, F14, F15, F16, F17, F18, FX18, F20, FX20, F22, F24, FX24, FX26, FX28, FX32, FX42, 177, 180, 186, 187, 195, 220, 226, 240, 250, 276, 336, 1502, 1510, 1600, 1601, 1602, 1610, 1700, 1702, 1720, **YMG1800**, 1802, 1810, 1820, 1900, **YMG2000**, 2000, 2001, 2002, 2010, 2020, 2202, 2210, 2220, 2301, 2310, 2402, 2420, 2610, 2620, 2820, 3110, 3220, 3810, 4220, FF145D, FF155D, F165D, F195, FX195, F215, FX215, F235, F255, F265, FX265, FX285, FX305, FX335, FX435 Repl. 194990-42710



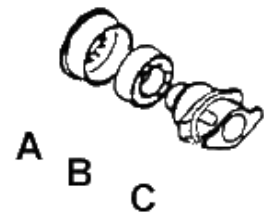
**BC-1500** Cup, release bearing w/snap ring **1500 Green (A)**  
Repl. 194190-22150 & 194190-22151

**6006-2RS** Clutch throw-out (release) bearing **1500 Green (B)**  
Repl. 24104-060064

**BC-2214** Bearing carrier w/bushing, clutch release **1500 Green (C)**  
Repl. 194190-22140

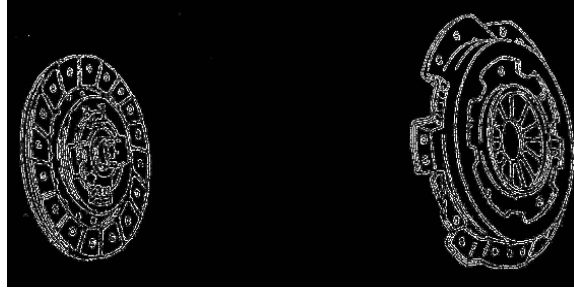
**CB-4150** Bushing for BC-2214 carrier 1500 Green Repl. 194150-22160

**CB-4555** Throw out bearing carrier bushing, F20, FX20, F24, FX24, FX26, FX28, F255, FX255, Repl. 194555-22180



Continued on next page

Continued from previous page



**CD-4276** Clutch disc, 8-1/2" x 1" – 13 spline, 330, 336, 2200, 2420, 2500, 2610, 2620, 2700, 2820, 3000, 3110, 3810 (Repl 194320-21401)  
Repl. 194276-21402 (Old # 794081-21400 & 194275-21400)  
3220, FX26, FX28, FX32, F255, FX255, F265, FX265  
Repl. 194320-21510

**PP-4276** Pressure plate – 336, 2610, 2620, 2820, 3110, 3220, 3810, FX26, FX28, FX32, F255, FX255, F265, FX265 Repl. 194320-21700

**PP-4081** Pressure plate 330, 2200, 2500, 2700, 3000  
Repl. 794081-21700

**TO-4276** Clutch throw-out (release) bearing 176, 330 w/single clutch, 2200, 2500, 2700, 3000 Repl. 194990-42720



**CD-4335** Clutch disc, 8-7/8 x 1" – 13 spline, 4220, FX42, FX285, FX305, FX335 Repl. 194335-21400  
**PTO** clutch disc 330 Repl. 194274-21410



**PP-4335** Pressure plate 4220, FX42, FX285, FX305, FX335  
Repl. 194335-21700

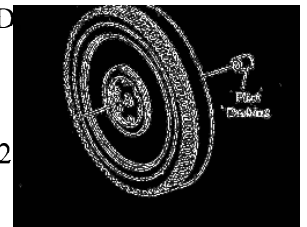
**TO-4115** Clutch throw-out (release) bearing 4220, FX42, FX285, FX305, FX335 Repl. 194990-42710



## Pilot Bushings

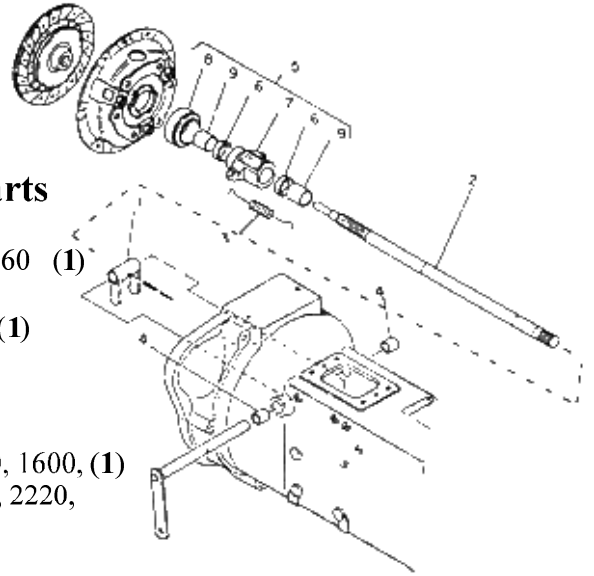
**PB-4450** 135, 140, 147, 155, 195, 220, 226, 240, 250, 276, 330, 336, 1100, 1300, 1500, 1600, 1700, YMG1800, 1802, 1820, 1900, 2000, YMG2000, 2001, 2002, 2010, 2020, 2202, 2210, 2220, 2301, 2310, 2402, 2420, 2500, 2610, 2620, 2820, 3000, 3110, 3220, 3810, 4220, F18, F20, F22, FX22, F24, FX24, FF145D, FF155D, F195, F215, F235, F255, FX255, F265, FX265  
Replaces 124450-21230

**PB-4950** 142, 146, 180, 186, 187, 1110, 1301, 1401, 1502, 1510, 1601, 1602, 1610, 1702, 1720, F14, F15, F16, F17, FF145D, FF155D, F165 Repl. 124950-21230



## Clutch release bearing carrier & parts

- CF-4190** Clutch fork 1500 **Green** Repl. 194190-22160 (1)
- CF-4130** Clutch fork 2200, 2500, 2610, 2620, (1)  
2700, 2820, 3000, 3110, 3220, 3810, 4220  
Repl. 194130-22311
- CF-4150** Clutch fork 226, 240, 276, 1500 **Red**, 1510, 1600, (1)  
1610, 1700, 1820, 1900, 2000, 2010, 2210, 2220,  
2310, 2420 Repl. 194150-22311
- CBS-4130** Clutch brg carrier, incl. bearing 330, (5)  
2200, 2500, 2700, 3000 Repl. 794130-22150
- CBS-4150** Clutch brg carrier, incl. bearing 186, 195, 220, (5)  
226, 240, 250, 1500, 1510, 1610, 1700, 2000, 2001, 2310  
Repl. 794150-22150
- CB-4130** Bushing 2500, 2610, 2620, 2820, (9)  
3000, 3220, 3810, 4220 Repl. 194130-22160
- CB-4150** Bushing 165, 186, 220, 226, 250, 1401, 1500, 1502, 1510, (9)  
1610, 1700, YMG1800, 2000, YMG2000, 2210, 2310,  
FF145D, FF155D Repl. 194150-22160
- APB-4191** Bushing 135, 155, 1300 Repl. 194200-22170 (9)
- RS-4150** Spring, clutch brg return 1500, 1510, 1600, 1602, (3)  
1700, 1900, 2000, 2210 Repl. 194150-22240
- RS-4320** Spring, clutch brg return 336, 2610, 2620, 2820, (3)  
3110, 3220, 3810, 4220 Repl. 194320-22240
- RS-4145** Spring, clutch brg return 330, 2500, 3000, 4300 (3)  
Repl 194145-22261
- RS-4420** Spring, clutch brg return 220, 226, 250, 1601, (3)  
1610, 1702, 1720, YMG1800, 1802, 1810, 1820,  
YMG2000, 2001, 2002, 2010, 2020, 2202, 2220, 2301,  
2310, 2402, 2420 Repl. 194420-22240



Continued next page

Continued from previous page

- FS-4130** Felt seal TO brg carrier F20, FX20, F24, FX24, (6)  
FX26, FX28, F255, FX255, 186, 226, 1502,  
1510, 1610, 1702, 1720, YMG1800,  
YMG2000, 2220, 2310, 2420, 2500, 2620,  
2820, 3000, 3220, 4220 Repl. 194130-22170
- TS-4430** Main drive shaft 220, 226, 250, YMG1800, 1810,  
YMG2000, 2002 Repl. 194430-22110 (2)
- TS-213** Main drive shaft **1500 Red ONLY**  
Repl. 194190-21301 **OAL – 20”** (2)
- MDS-4312** Main drive shaft 276, 2001, 2010, 2210, 2301, (2)  
2310 Repl. 194312-22110;  
**Will work on 2020, 2220, 2420 (Repl. 194550-22110)**  
**by replacing clutch disc with our CD-4115**
- MDS-4420** Main drive shaft 1610 Repl. 194420-22110 (2)
- MDS-2500** Main drive shaft 2500 Repl. 194134-22110 (2)
- MDS-3000** Main drive shaft 330 (single clutch), 3000 Repl. 194145-22111 (2)
- CLB-2228** Clutch lever bushing 195, 226, 240, 1600, 1610, 1700, 1702, (4)  
1720, YMG1800, 1820, 1900, 2000, YMG2000, 2001, 2020,  
2202, 2200, 2220, 2301, 2310, 2402, 2420, 2500, 2610, 2700,  
3000, 3810 Repl. 194130-22280
- CB-4190** Clutch lever bushing 1500 Repl. 24550-020150 (Old # 194190-21250) (4)

