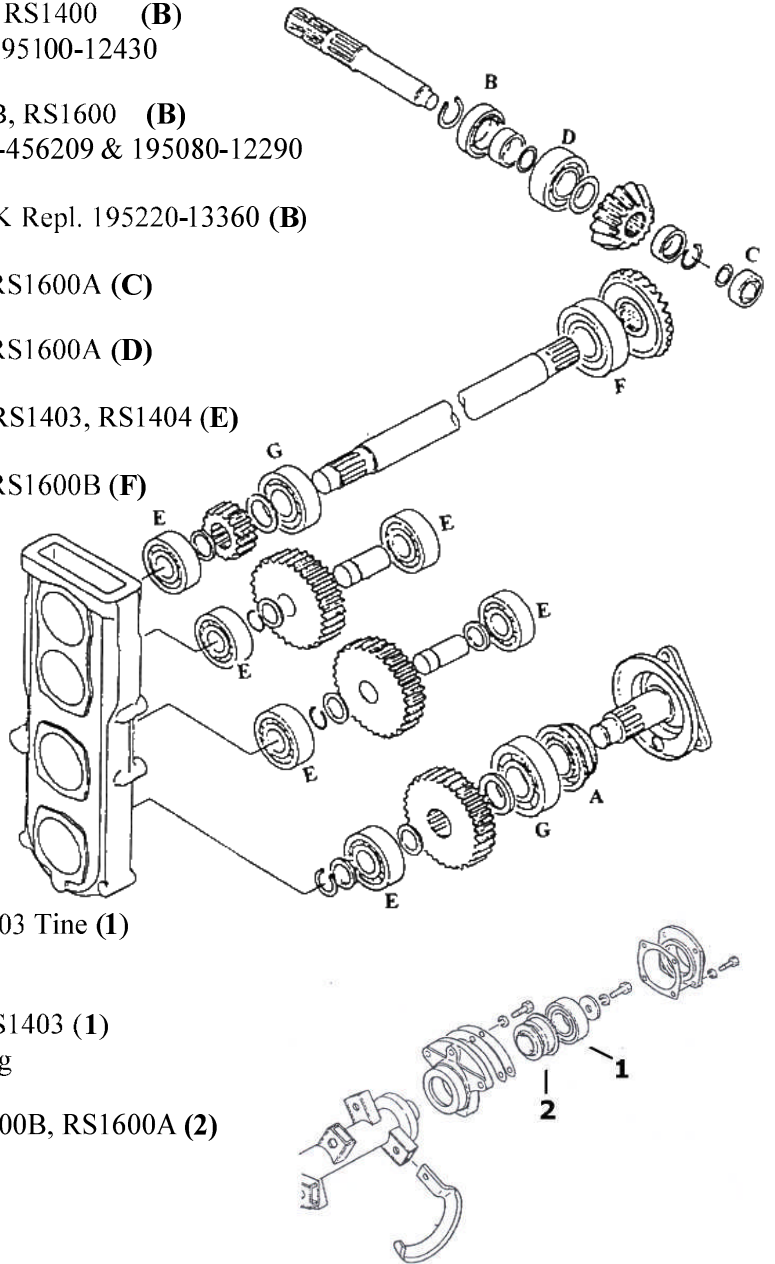


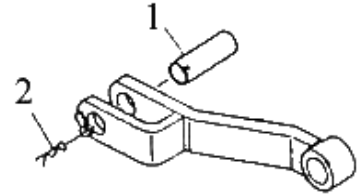
Gearbox Components

- SS-2423** Gearbox seal w/ sleeve, for 1400, 1400K, RS1500B, RS1600A, 1600FA, 1601 Replaces 195081-13770 **(A)**
- S-14251** Gearbox seal w/ sleeve RS1200, RS1300, RSK1303, **(A)**
RS1403, RS1404, RS1504; RSB-1401, 1402, 1501, 1502, 1601, 1602
Repl. 195100-14251
- 35x55x8TC** Input shaft seal RS1200, RS1400 **(B)**
Repl. 194420-24340 & 195100-12430
- 45x62x9TC** Input shaft seal RS1500B, RS1600 **(B)**
RS1601 Replaces 24423-456209 & 195080-12290
- 40x62x8TC** Input shaft seal RC1503K Repl. 195220-13360 **(B)**
- 6204-2RS** Ball bearing RS1500B, RS1600A **(C)**
- 6207-2RS** Ball bearing RS1500B, RS1600A **(D)**
- 6306-2RS** Ball bearing RS1303K, RS1403, RS1404 **(E)**
- 6308-2RS** Ball bearing RS1500B, RS1600B **(F)**
- 6207-2RS** Ball bearing RS1200, 1303 Tine **(1)**
bar idler end bearing
- 6208-2RS** Ball bearing RS1400, RS1403 **(1)**
Tine bar idler end bearing
- SS-2423** Idler seal w/sleeve RS1500B, RS1600A **(2)**
Repl. 194080-09551



Tiller Bracket Components

- P-5260** Tiller bracket pin for RC1503 & RC1503K tillers on 1601 and 1610 tractors
Replaces 195260-17370 (1) & includes hair pin (2)
(old # 195230-17340)



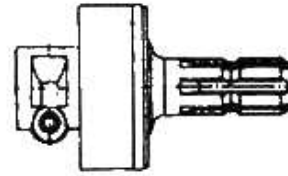
Oil Plug

- TP-5230** Oil filler plug – plastic; common to most Yanmar tillers Repl. 195230-12190



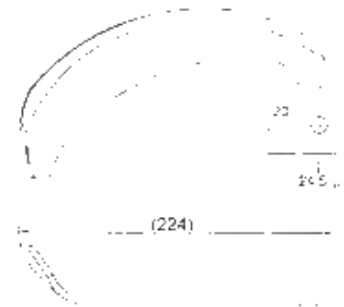
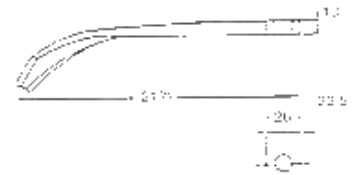
Over-Running Clutch

- OR-660** Over-running clutch, quick disconnect
1-3/8" 6 spline X 1-3/8" 6 spline



Tiller Tines

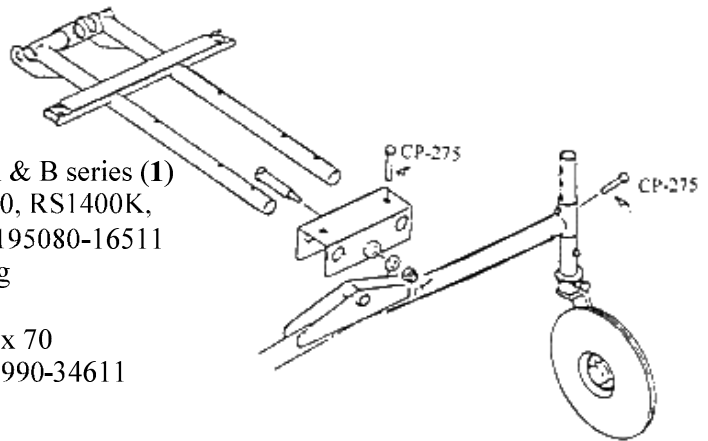
- TT-510** Tiller tine – LH – **12mm** bolt (Models 1400 & up)
Replaces 195107-18510
- TT-520** Tiller tine – RH – **12mm** bolt
Replaces 195107-18520
- TT-534L** **SET of 34** tiller tines, 17 each TT-510 & TT-520
- M12X30** Cap screw, hex head, plated (10 per package)
- M12LW** Washer, lock, plated, 12mm (10 per package)
- M12NUT** Nut, hex, plated, 12mm (10 per package)
- TT-970** Tiller tine – LH – **10mm** bolt (Models 1300 & below)
Replaces 195187-14970 & 195107-18310
- TT-980** Tiller tine – RH – **10mm** bolt
Replaces 195187-14980 & 195107-18320
- TT-932S** **SET of 32** tiller tines, 16 each TT-970 & TT-980
- M10X30** Cap screw, hex head, plated (10 per package)
- M10LW** Washer, lock, plated, 10mm (10 per package)
- M10NUT** Nut, hex, plated, 10mm (10 per package)



Hitch Bar and Components

THB-1400 Tiller hitch bar RC1500 A & B series (1)
RS1200, RS1300, RS-1400, RS1400K,
RS1500B, RS1600 Repl. 195080-16511
22 mm OD x 125 mm long

CP-275 Tiller bar pin w/ clip – 10 x 70
Repl. 195131-16380 / 194990-34611



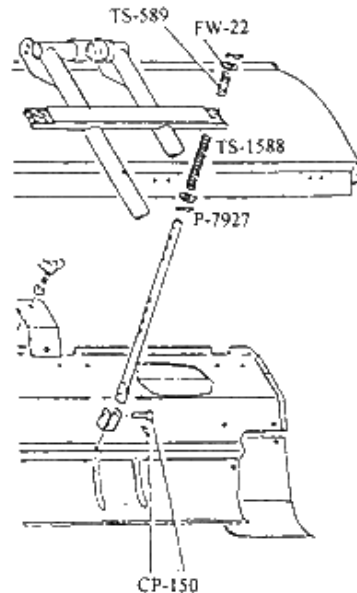
P-7927 Hair pin clip – 5mm dia.

FW-22 Flat washer
Repl. 22137-220000

TS-589 Short spring rod spring
Repl. 195214-15890

TS-1588 Long spring rod spring
Repl. 195214-15880

CP-150 Spring rod pin w/ clip
Repl. 195088-15880



P-7927 Hair pin clip- 3/16" (5mm) x 3-1/2" oal
Special design for tiller spring rod – slightly
open (as shown) with extended straight pin and
27mm finger pull hole Repl. 195214-15870

