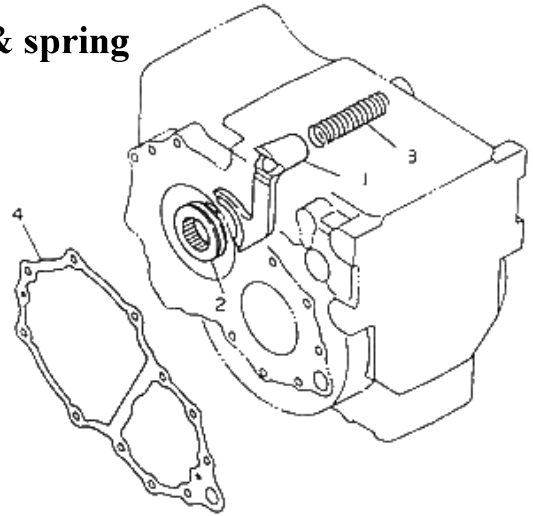


Differential lock, shifter & spring



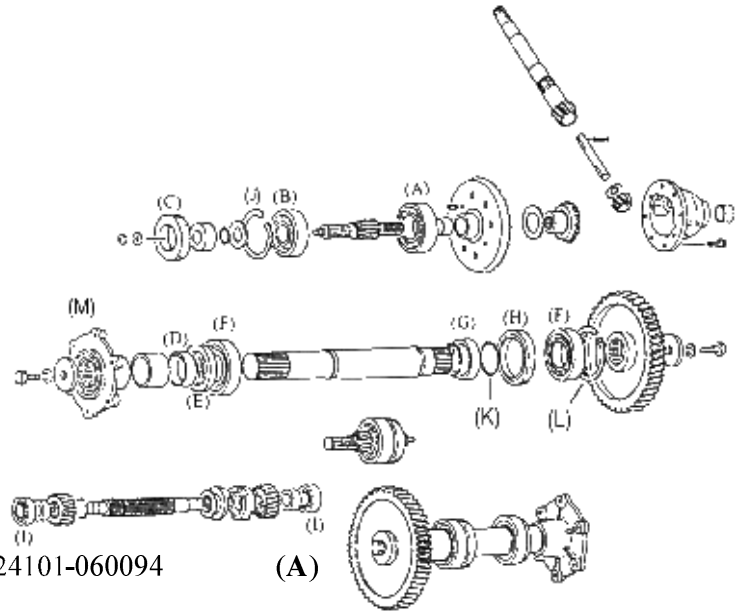
SF-4430 Shifter fork **NO LONGER AVAILABLE (1)**

DL-4361 Differential lock 226, YMG1800, 1802, 1810, 1820, (2)
YMG2000, 2002 Repl. 194361-33100

DLS-4150 Differential lock return spring 226, 1600, (3)
YMG1800, 1802, 1810, 1820, 1900,
YMG2000, 2002 Repl. 194150-33150

RAHG-4420 Rear axle housing gasket 226, 1601, 1610, (4)
YMG1800, 1810, YMG2000
Repl. 194420-32620

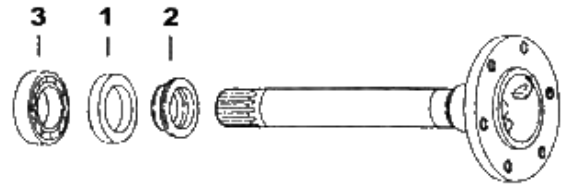
Rear Axle Parts



| | | |
|-------------------|--|------------|
| 6009-2RS | Ball bearing, sealed – Repl. 24101-060094 | (A) |
| 6306-2RS | Ball bearing, sealed – Repl. 24101-063064 | (B) |
| 45x72x12TC | Seal, brake shaft 1500 Red or Green Repl. 194190-32370 & 24421-457212 | (C) |
| 40x62x8TC | Seal, brake shaft 186 Repl. 24421-406208 | (C) |
| AC-4150 | Axle collar 1500 Red, 2000 Repl. 194150-34360 | (D) |
| AC-1500 | Axle collar 1500 Green Repl. 194190-34170 | (D) |
| 55x75x9TC | Seal, outer axle 1500 Red, 1700, 2000 Repl. 24421-557509 (old # 194150-34370) | (E) |
| AS-1500 | Seal, outer 1500 Green Repl. 194190-32420 | (E) |
| 6209-2RS | Ball bearing, sealed – Repl. 24102-062090 | (F) |
| AC-1500 | Axle collar 1500 Red Repl. 194190-34172 | (G) |
| AS-1500 | Axle, inner seal 1500 Repl. 194190-32421 | (H) |
| 6304-2RS | Ball bearing, sealed – Repl. 24101-063044 | (I) |
| SR-720 | Snap ring, brake shaft Repl. 22252-000720 | (J) |
| OR-1500 | O-ring, inner axle collar 1500 Repl. 24311-000450 | (K) |
| SR-850 | Snap ring, inner brg retainer Repl. 22252-000850 | (L) |
| RAH-4150 | Rear axle hub 195, 240, 1500, 1600, 1700, 1900, 2000 Repl. 194150-34510 | (M) |

Continued on next page

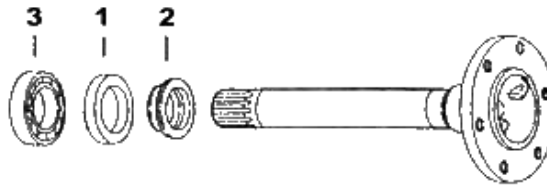
Continued from previous page



- AC-4150** Rear axle collar, outer 195, 240, 1500, 1600, (2)
1700, 1900, 2000 Repl. 194150-34360
- 55x75x9TC** Rear axle seal, outer 195, 240, 1110, 1500, 1600, 1700, (1)
1900, 2000 Repl. 24421-557509 (old # 194150-34370)
- AS-4447** Rear axle seal 226, 1502, 1510, 1602, 1610, 1702, 1720, (1)
YMG1800, 1802, 1810, 1820, YMG2000, 2002, F18, FX18,
F24, FX24, F220D, F255, FX255 Repl. 194447-14140
- AC-4447** Rear axle collar 226, 1502, 1510, 1602, 1610, 1702, 1720, (2)
YMG1800, 1802, 1810, 1820, YMG2000, 2002, F18, FX18,
F24, FX24, F220D, F255, FX255 Repl. 194447-14180
- 6009-2RS** Rear axle bearing 1510 (3)
- 6209-2RS** Rear axle bearing 195, 240, 1702, 1720, (3)
1802, 1810, 1820, 2002 Repl. 24101-062094
- 62x80x12TC** Rear axle seal 276, 2001, 2010, 2020, 2202, (1)
2301, 2310, 2402 Repl. 194312-32660
- AC-4312** Rear Axle collar 276, 2001, 2010, 2020, 2202, (2)
2301, 2310, 2402 Repl. 194312-32670
- 6210-2RS** Rear axle bearing 276, 2001, 2010, 2020, 2210, (3)
2301, 2310 Repl. 24101-062104
- AS-3417** Rear axle seal collar 2210 Repl. 194310-34170 (2)
- OR-500** Oring for AS-3417 Repl. 24321-000500
- 60x82x6VC** Rear axle dust seal 2210 Repl. 24430-608206 (1)
(Old # 194310-34190)
- 60x82x9TC** Rear axle seal 2210 Repl. 24421-608209 (1)
(Old # 128176-02220 & 194310-34180)

Continued on next page

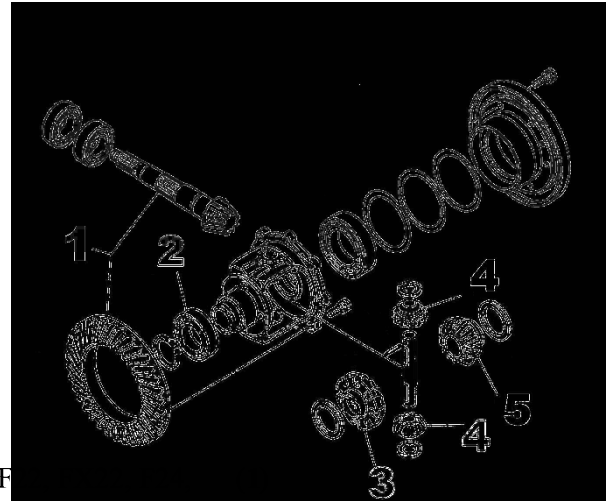
Continued from previous page



- AC-4130** Rear axle collar **2200, 2500, 2610, (2)**
2700 Repl. 194130-34360
- 58x80x12TC** Standard lip seal 2500, **2610 (1)**
Repl. 194134-32800
- AS-2200** Rear axle seal **w/flange (1)**
2200, 2500, 2610, 2700 Repl. 194130-34350
- SC-4145** Rear axle seal collar 2500, 2620, 2820, 3000, 3110D, **(2)**
3220, 3810, 4220, 4300, FX26, FX28, FX32, F37D,
F46D, FX42, FX335, FX435 Repl. 194145-34360
- 75x100x13TC** Rear axle seal 2620, 2820, FX26, FX28, F37D, F46D, **(1)**
FX285, FX305, FX335, FX435 Repl. 194327-32730
- 75x100x13TC** Rear axle seal 3000, 3110, 3810, 4300 **(1)**
Repl. 24421-750013
- 75x100x7TC** Rear axle dust seal 3000, 3110, 3810, 4300 **(1)**
Repl. 24430-750007
- 6210-2RSNR** Rear axle bearing w/snap ring 2200, 2500, 2610, **(3)**
2700 Repl. 194130-34210 & 24121-062104
- 6212-2RS** Rear axle bearing 2620, 2820, 4300, FX26, FX28, **(3)**
F37D, F46D, FX335, FX435 Repl. 24101-062124
- 6209-2RS** Rear axle bearing 226, 1700, 2000, **(3)**
YMG1800, YMG2000 Repl. 24102-62094
- AC-4447** Axle seal collar, rear 226, 1502, 1610, 1702, **(2)**
1720, YMG1800, 1802, YMG2000, 2002, 2010
Repl. 194447-14180
- AS-4447** Seal, rear axle 226, 1502, 1610, 1702, 1720, **(1)**
YMG1800, 1802, YMG2000, 2002
Repl. 194447-14140

Continued on next page

Continued from previous page



- RGP-4555** Ring gear (8 bolt) & pinion F20, FX20, F22, FX22, F24, FX24 (1)
 FX24, F215, FX215, F235, FX235
 Repl. 194555-31300
- 6008-2RS** Ball bearing Repl. 24101-060084 (2)
- SG-4555** LH pinion gear F20, FX20, F22, FX22, F24, FX24 (3)
 Repl. 194555-31500
- SG-3180** Spider gear F20, FX20, F22, FX22, F24, FX24, (4)
 276D, 2010, 2020, 2210, 2310 Repl. 194310-31800
- SG-3151** RH pinion gear F20, FX20, F22, FX22, F24, FX24 (5)
 Repl. 194555-31510

- SR-850** Snap ring F20, FX20, F22, FX22, F24, FX24 (1)
 Repl. 22252-000850

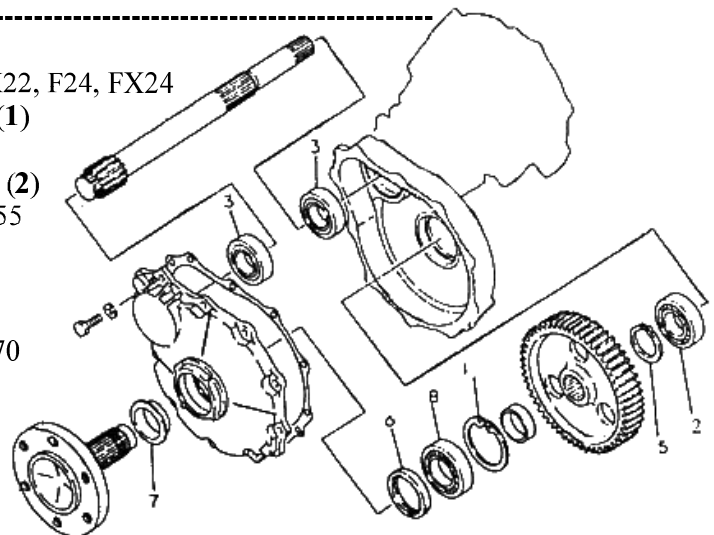
- 6208-2RS** Bearing F17, F20, FX20, F22, (2)
 FX22, F24, FX24, F255, FX255
 Repl. 24101-62084

- 6207-2RS** Bearing F20, F22, (3)
 F24, FX24 Repl. 24101-062070

- AS-4447** Axle seal F17, F20, FX20 (6)
 F22, FX22, F24, FX24, F255,
 FX255 Repl. 194447-14140

- AC-4447** Axle collar F17, F18, F20, FX20, (7)
 F22, FX22, F24, FX24, F255, FX255
 Repl. 194447-14180

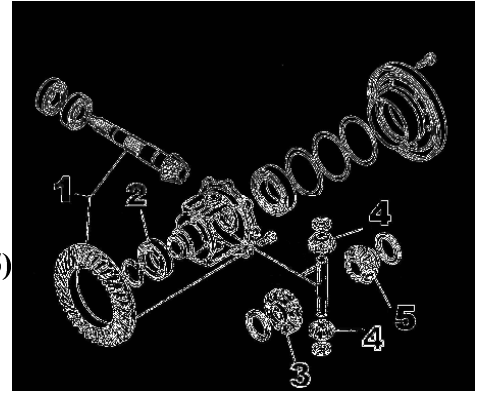
- 6209-2RS** Bearing F17, F20, FX20, F22, FX22, (8)
 F24, FX24, F255, FX255 Repl. 24101-062094



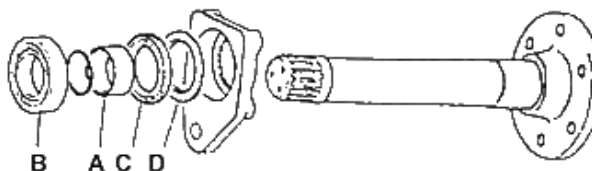
Continued on next page

Continued from previous page

- PG-3151** Pinion side gear (large) 1601, 1610, 1702, 1720 **(5)**
Repl. 194420-31510 **(2 required)**
- PG-4420** Pinion spider gear (small) 1601, 1610, 1702, **(4)**
1720
Repl. 194420-31800
- PG-4740** Pinion spider gear (small) 140, 147, 187, 195, 240, **(4)**
1500, 1502, 1600, 1602, 1700, 1900, 2000, F16
Repl. 194740-10850
- PG-4190** Pinion side gear (large) 1500 **(5)**
Repl. 194190-31510
- SG-3150** Pinion side gear (large) **(LH)** 2001, 2010, 2202, 2220, 2301, **(3)**
2310, 2402, 2420 Repl. 194310-31500
- SG-4310** Pinion side gear (large) **(RH)** 2001, 2010, 2202, 2220, 2301, **(3)**
2310, 2402, 2420 Repl. 194310-31510
- SG-3180** Pinion spider gear (small) 276, 2001, 2010, 2202, 2220, 2301, **(4)**
2310, 2402, 2420, F20, F22, F24
Repl. 194310-31800



Continued from previous page



- AS-3417** Rear axle seal collar 2210 (A)
Repl. 194310-34170
- 6210-2RS** Rear axle brg 2210 (B)
Repl. 24101-062104
- 60x82x6VC** Rear axle dust seal 2210 (C)
Repl. 24430-608206
- 60x82x9TC** Rear axle outer seal 2210 (D)
Repl. 24421-608209 (old # 194310-34180)

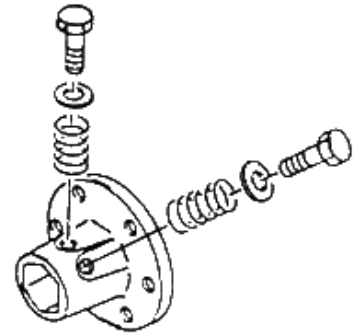
Rear Axle Oil Seal Case

- RAC-34312** Rear axle oil seal case, YM1500 RED
Replaces 194190-34312
- 55x75x9TC** Rear axle seal, outer 1500, 1600, 1700,
1900, 2000 Repl. 24421-557509 (old # 194150-34370)
- RAC-4134** Rear axle oil seal case 2200, 2500, 2700
Repl. 194134-32710 (old # 194130-34310)
- RAC-3271** Rear axle oil seal case 330, 336, 3000, 3110, 4300
Repl. 194145-32710
- RAC-4640** Rear axle oil seal case FX26, FX28, FX32, FX42,
FX285, FX305 Repl. 194640-32650
- 60x82x9TC** Seal, 2210 outer rear axle Repl. 24421-608209 (Old # 194310-34180)
- 60x82x6VC** Seal, dust, 2210 rear axle Repl. 24430-608206
- AS-3417** Rear axle collar 2210 Repl. 194310-34170
- OR-500** O-ring 1500, 1702, 1720, 2210 Repl. 24321-000500
- 6210-2RS** Axle bearing 2210 Repl. 24101-062104



Rear Axle Hub

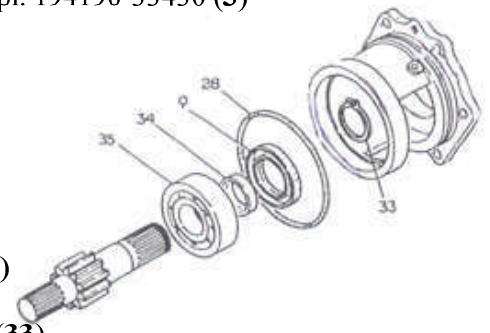
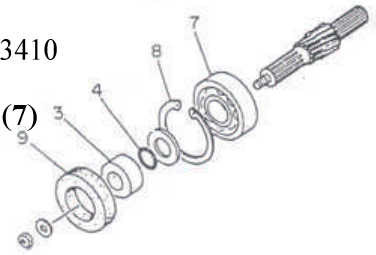
- RH-347** Hub, rear axle 135, 155, 165, 1100, 1300, 1301, 1401 Repl. 194200-34711
(Includes hardware items shown & pin)
- P-347** Pin for RH-347 axle hub 135, 155, 165, 1100, 1300, 1301, 1401 Repl. 194200-34750
- 6206-2RS** Bearing, brake axle 1300 Repl. 24101-062064 (2)
- 6207-2RS** Bearing, brake axle 1300 Repl. 24101-062074 (3)
- 35x50x8TC** Seal, brake axle 135, 155, 165, 1300, 1401, (5)
Repl. 24421-355008 (old # 194200-33460)
- 6306-2RS** Bearing, inner rear axle 1300 Repl. 24101-063064 (7)
- 6208-2RS** Bearing, **outer** rear axle 1300 **GREEN** Repl. 24101-062084 (8)
- NJ-4514** Bearing, **outer** rear axle 135, 155, 165, 1300 **RED**, (8)
1301, 1401 Repl. 194200-34200
- 50x70x10TC** Rear axle seal Early 135 Repl. 194200-34411 (9)
- AS-1300** Rear axle seal Late 135, Late 155, 165, 1100, (9)
1300 **Red**, 1301, 1401, F14, F15
Repl. 194200-34412 (45x70x12)
- 48x70x12TC** Rear axle seal 1300 **Green** Repl. 194200-34412 (45x70x12)





Brake Stub Axle and Parts

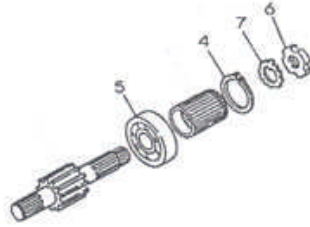
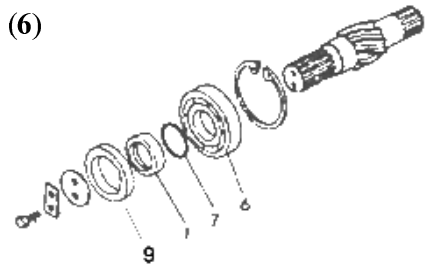
- SA-3341** RH stub axle for 1601, 1610 Repl. 194420-33410
- SA-4430** RH stub axle 226, YMG1800, 1810, YMG2000 Repl. 194430-33410
- SA-4510** RH stub axle 1702, 1720 Repl. 194510-33410
- SA-4520** RH stub axle 1802, 1820, 2002 Repl. 194520-33410
- SA-4550** RH stub axle 2020, 2202, 2220, 2402, 2420 Repl. 194550-33410
- 6306-2RS** Bearing, brake axle 195, 226, 240, 1500, 1600, 1601, 1610, (7)
1700, 1702, 1720, YMG1800, 1802, 1820, 1900, 2000,
YMG2000, 2002 Repl. 24101-063064
- SR-720** Snap ring 1500 Repl. 22252-000720 **(8)**
- 35x50x8TC** Seal, brake axle 135, 155, 165, 1300, 1401 **(9)**
Repl. 24421-355008 (old # 194200-33460)
- 38x58x11TC** Seal, brake axle 195, 240, 1600, 1700, 1900, 2000 **(9)**
Repl. 194150-33460
- 45x72x12TC** Seal, brake axle 1500 Repl. 24421-457212 (old # 194190-32370) **(9)**
- SC-2545** Seal collar, brake axle 1500 RED or GREEN Repl. 194190-33430 **(3)**
- 35x55x8TC** Seal, brake axle 220, 226, 1601, 1610 **(9)**
Repl. 194420-24340;
YMG1800, YMG2000 Repl. 195100-12430
- OR-1000** O-ring 226, 1601, 1610 Repl. 24321-001000 **(28)**
- SR-29** Snap ring 226, 1601, 1610 Repl. 22242-000290 **(33)**
- SC-4420** Seal collar, brake axle 226, 1601, 1610, YMG1800, 1810, **(34)**
YMG2000 Repl. 194420-39370 (Old # 194420-26650)



Continued on next page

Continued from previous page

- SC-4150** Seal collar, brake axle 1700, 1900, 2000 (1)
Repl. 194150-33450
- SC-4310** Seal collar, brake axle 2210 Repl. 194310-33440 (1)
- SC-4130** Seal collar, brake axle 2200, 2500, 2700 Repl. 194130-33450 (1)
- AC-3344** Seal collar, brake axle 276, 2001, 2010, 2301, 2310 Repl. 194312-33440 (1)
- SC-3343** Seal collar, brake axle 2610, 3000, 3110, 3810 Repl. 194145-33430 (1)
- 6208-2RS** Bearing 2001, 2010, 2210, 2220, 2301, 2310, 2420 (6)
Repl. 24101-062084
- 6307-2RS** Bearing, brake axle 2500 Repl. 24104-063074 (6)
- 6308-2RS** Bearing, brake axle 3000 Repl. 24104-063084 (6)
- OR-350** O-ring 2210 Repl. 24321-000350 (7)
- 50x70x10TC** Seal 2210 Repl. 194310-33450 (9)
- 42x80x9TC** Seal, brake axle 2200, 2500, 2700 Repl. 194130-33461 (9)
- 45x68x9TC** Seal, brake axle 276, 2001, 2010, 2301, 2310 Repl. 194080-09350 (9)
- 55x78x12TC** Seal, brake axle 2610, 3000, 3110, 3810 Repl. 194145-32660 (9)



- SR-242** Snap ring 2620, 2820, 3220, 4220 Repl. 22242-000550 (4)
- 6308-2RS** Bearing, brake axle 2620, 2820, 3220, 4220 Repl. 24101-063084 (5)
- LN-35** Lock nut 2620, 2820, 3220, 4220 Repl. 24211-035002 (6)
- LW-35** Lock washer 2620, 2820, 3220, 4220 Repl. 24231-035000 (7)

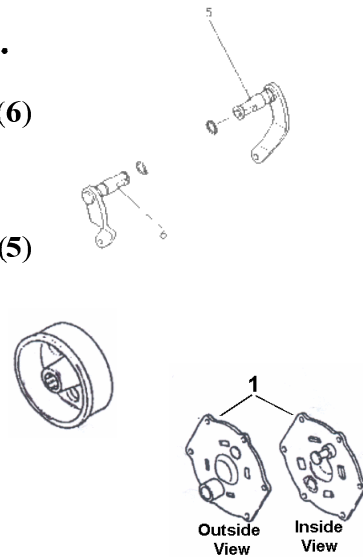
Brake Drum etc.

BC-3671 Brake camshaft, LH 220, 226, 250, 276, 1601, (6)
1610, YMG1800, 1810, YMG2000, 2010, 2310
Repl. 194312-36710

BC-3672 Brake camshaft, RH 220, 226, 250, 276, 1601, (5)
1610, YMG1800, 1810, YMG2000, 2010, 2310
Repl. 194312-3672

BD-3657 Brake drum 220, 226, 250, 1601, 1610
Repl. 194420-36570

BDC-3630 Brake drum cover 220, 226, 250, 1601, 1610 (1)
Repl. 194420-36300

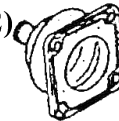


Brake Rod Rubber Boot

BRB-1602 Brake rod boot 1602, F16 (1)
Repl. 194205-36474

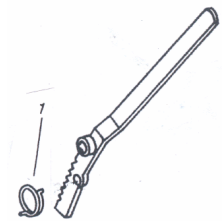


BRB-3691 Brake rod boot 1702, 1720, 1802, 2002, (2)
2020, 2202, 2220, 2402, 2420
Repl 194550-36910



Brake Release Spring

RS-8311 Brake release spring 177, 180, 195, 220, 240, 250, 330, (1)
336, 1500, 1502, 1500, 1502, 1510, 1600, 1601, 1602,
1610, 1700, 1702, 1720, YMG1800, 1802, 1810, 1820,
2000, YMG2000, 2001, 2010, 2020, 2200, 2202, 2210,
2220, 2301, 2310, 2402, 2420, 2500, 2610, 2620, 2700,
2820, 3000, 3110, 3220, 3810, 4220, 4300
Replaces 194311-16550 (old # 194110-37691)



BSB-4420 Brake shoulder bolt 140, 147, 220, 226, 250, 276, 1601, (2)
1610, 1810, 2001, 2010, 2301, 2310 Repl. 194420-37670

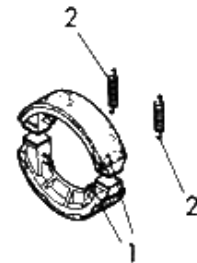
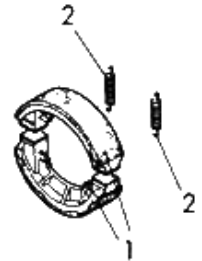
BSB-4110 Brake shoulder bolt 195, 240, 1500, 1600, 1700, 1900, (2)
2000, 2200, 2210, 2700 Repl. 194110-37673

BSB-4330 Brake shoulder bolt 336, YMG1800, YMG2000, 2620, (2)
2820, 3220, 3810, 4220, 4300 Repl. 194330-01420



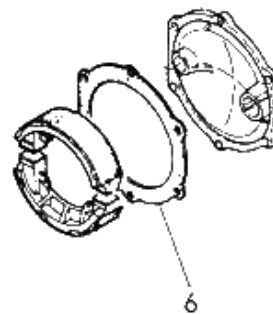
Brake Shoes & Springs

- BS-3651** Brake shoe **28mm** wide 1600, 1700 **Green**, 2000 **Green**
Repl. 194150-36520 (old # 194150-36510)
- BS-4150** Brake shoe **38mm** wide 195, 240, 1500, 1600, 1700 **Red**,
1900, 2000 **Red** Repl. 194150-36520 (Old # 194150-36511)
- BS-4312** Brake shoe 276, 2001, 2010, 2301, 2310 Repl. 194312-36511
- BS-4430** Brake shoe 1810, YMG1800, YMG2000 Repl. 194430-36511
- BRS-4150** Brake **return spring** 195, 220, 226, 240, 250, 276, (2)
1500, 1502, 1600, 1601, 1610, 1700, YMG1800, 1810, 1900,
2000, YMG2000, 2001, 2010, 2301, 2310 Repl. 194150-36550
- BS-4130** Brake shoe 2200, 2500, 2700 Repl. 194130-36510
- BRS-4130** Brake **return spring** 2200, 2500, 2700 Repl. 194130-36550 (2)
- BS-4420** Brake shoe 220, 226, 250, 1601, 1610
Repl. 198230-36510 (old # 194420-36510)
- BS-4310** Brake shoe 2210 Repl. 194310-36510
- BRS-4310** Brake **return spring** 2210 Repl. 194310-36550 (2)
- BS-4201** Brake shoe 135, 155, 165, 169, 1100, 1300, 1301
Repl.194200-36512
- BS-1401** Brake shoe 1301, 1401 Repl. 194201-36511 & 794201-36510
- BRS-4200** Brake **return spring** 155, 165, 169, 180, 186, 187, 1100, (2)
1110, 1300, 1401, 1510 Repl. 194200-36551
- BS-4145** Brake shoe 330, 3000 Repl. 194145-36510
- BRS-4145** Brake **return spring** 330, 336, 2610, 3000, (2)
3110, 3810, 4300, 4500 Repl. 194145-36551
- BS-4320** Brake shoe 336, 2610, 3110, 3810
Repl. 194320-36511 (old # 194320-36510)
- BS-4440** Brake shoe 180, 186, 187, 1110, 1510
Repl. 198223-36510 (old #194440-36530 & 194300-36500)



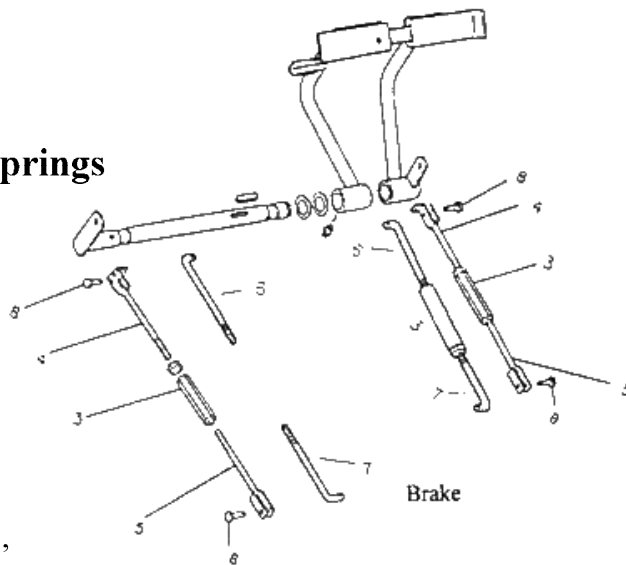
Brake Cover Gaskets

- BCG-3643** Brake cover gasket 135, 155, 165, 169, 1100, 1300, (6)
F14, F15 Repl. 194200-36430 / 194200-36420
- BCG-4201** Brake cover gasket 1301, 1401 Repl. 194201-36420 (6)
- BCG-4150** Brake cover gasket 195, 240, 1500, 1600, 1700, (6)
1900, 2000 Repl. 194150-36331 or 194150-36630
- BCG-2210** Brake cover gasket 2210 Repl. 194310-36330 (6)
- BCG-4300** Brake cover gasket 186, 1110, 1510 (6)
Repl. 194300-3630 & 194300-36850
- BCG-4320** Brake cover gasket 330, 336, 2610, 3000, (6)
3110, 3810, 4300 Repl. 194320-39380 & 194145-36630
- BCG-4420** Brake cover gasket 220, 226, 250, 1601, 1610, YMG1800, (6)
1810, YMG2000 Repl. 194420-36330 & 194420-36320
- BCG-4312** Brake cover gasket 276, 2001, 2010, 2301, 2310 (6)
Repl. 194312-36330 & 194312-36320



Brake Rods and Springs

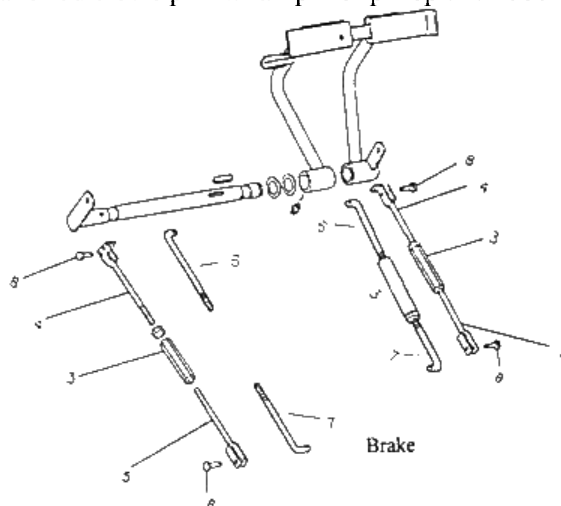
- BPS-4145** Brake pedal return spring 330,
2210, 2500, 3000
Repl. 194145-37511
- BR-4145** Brake rod end – RH thread
330, 3000
Repl. 194145-37771
(OAL approx. 13”) (4)
- BR-103** Brake turnbuckle – 140, 147, 180, 195,
220, 226, 240, 250, 276, 330,
1500, 1510, 1600, 1601, 1602, 1610, 1700, YMG1800, 1810, 1900, 2000,
YMG2000, 2010, 2200, 2210, 2220, 2240, 2310, 2500, 3000, 3220, 3810,
4220, 4300, 4500, F20, F24, F215, F255
Repl. 194151-37730 (10mm X 90mm OAL) (3)



Continued on next page

Continued from previous page

- BR-102** Brake rod end – RH thread – 140, 147, 180, 187, 195, 240, 1510, 1700, 2000, 2210, 2500, F18; RH side F20, F24 Repl. 194151-37771; F215, FX215, F255, FX255 Repl 194134-37771 (OAL 11-1/2”) (4)
- BR-475** Brake rod end – RH thread – 1500 Repl. 194190-37771 (OAL approx. 9-1/4”) (4)
- BR-4320** Brake rod end – RH thread 336, 2610, 3110, 3810, 4300 Repl. 194320-37770-X (OAL approx. 8”) (4)
- BR-4420** Brake rod end – RH thread 220, 226, 250, 276, 1601, 1610, 1810, 2010, 2301, 2310 Repl. 194420-37770 (OAL approx. 10”) (4)
- BR-3775** Brake rod end – RH thread 2200, 2620, 2700, 2820, 3220, 4220 Repl. 194130-37750 (OAL approx. 4-1/8”) (4)
- BR-100** Brake rod end – LH thread – 140, 146, 147, 180, 187, 195, 220, 226, 240, 250, 330, 1500, 1510, 1601, 1610, 1700, YMG1800, 1810, YMG2000, 2000, 2200, 2500, 2610, 2620, 2700, 2820, 3000, 3110, 3220, 3810, 4220, 4300, 4500; RH side for F20, F24, F215, FX215, F255, FX255 Repl. 194130-37740 (OAL approx. 4-3/8”) (5)
- BR-101** Brake rod end – LH thread 276, 2010, 2210, 2310, 2620, 2820, F18, FX18 Repl. 194310-37741 (OAL approx. 8”) (5)
- BR-3776** Brake rod end – LH thread 1600, 1700 **Green**, 1900, 2000 **Green**. Repl. 194150-37760 (OAL approx. 5-1/2”) (6)
- BR-3777** **Brake rod** end – RH thread 1600, 1700 **Green**, 1900, 2000 **Green**. Repl. 194150-37770 (OAL approx. 9-1/2”) (7)
- CP-118** Brake rod clevis pin w/hair pin clip Repl. 194080-37781 (8)



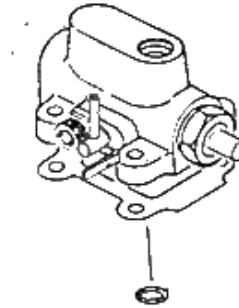
Hydraulic valve and Rock shaft parts

HV-451 Hydraulic valve 195, 240, 1500, 1601, 1610, 1700, 2000, 2500, 2610, 3000, some 3110, 3810
Repl. 794361-45100-X (old # 794151-45101)

HVG-4151 Gasket for HV-451 valve Repl. 194151-45841

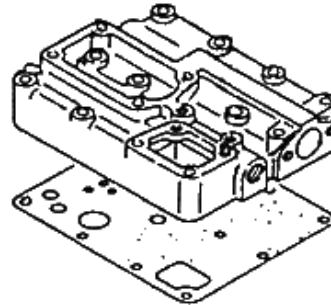
OR-110 O-ring, hyd. valve base Repl. 24315-000120

10x20x7TC Seal for hyd. valve Repl. 194151-45810



TCG-4310 Regulator (power shift cover) **gasket**
330, 336, 2210,
2610, 2620, 2820, 3110, 3220,
3810, 4220 Repl. 194310-24510

PSG-2451 Regulator (power shift cover) **gasket**
1510, 1610, 1702, 1720, 1810, 1820, 2010,
2020, 2310 Repl. 194300-24511



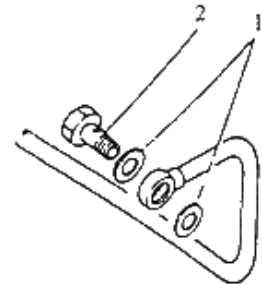
HLP-18 Hyd. line packing 1500, 1510, 1602, 1610, 1700, (1)
1702, 1720, YMG1800, 1810, 1820, 2000, YMG2000,
2010, 2020, 2200, 2202, 2210, 2310, 2402, 2500,
2610, 2620, 2700, 2820, 3000, 3220, 4220, F18D,
FX18D, F20, FX20 Repl. **23414-180023**

PG-1621 Hyd. line packing 2620, 2820, 3220, 4220 (1)
Repl. **23414-160021**

JB-1000 Joint bolt, hyd. line 1820, 2202, 2402, (2)
2620, 2820, 3220, 4220 Repl. 23857-100000

JB-1500 Joint bolt, hyd. line FX26, FX28, FX32, FX42, (2)
F46D, 2620, 2820, 4300 Repl. 23857-150000

PG-3414 Hyd. line gasket 2020, 4300, FX26, FX28, (1)
FX32, FX42, F255, FX255 (Used with JB-1500)
Repl. 23414-200026



Hydraulic screen

HS-4145 Hyd. screen 330, 2500, 3000 Repl. 194145-48401

OR-600 O-ring, hyd. screen cover plate
330, 2500, 3000 Repl. 24321-000600



HS-4190 Hyd. screen 1500 Repl. 194190-42310

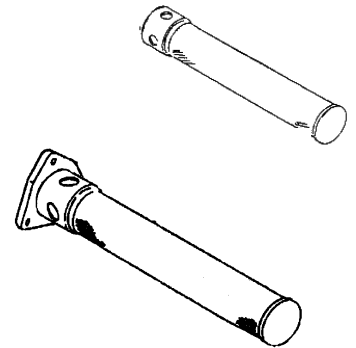
HS-4430 Hyd. screen F16, 180, 187, 220, 226, 250, 1502, 1602,
1702, 1720, YMG1800, 1802, 1810, 1820, YMG2000, 2002
Repl. 194430-24930

HS-4515 Hyd. screen F17, F18, FX18 Repl. 194515-24930

HS-4150 Hyd. screen 240(old style), 1600, 1700, 1900, 2000
Repl. 194150-42310 (old # 794150-42300)
Will replace 240(new style), 2000B 194241-42300

IP-4300 Strainer cover w/O-ring 186, 1110, 1510
Repl. 194300-24750

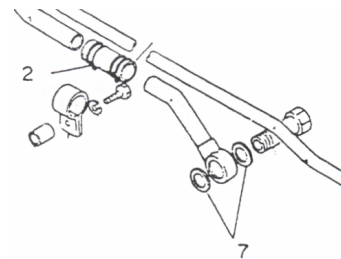
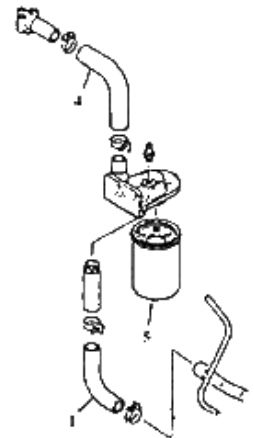
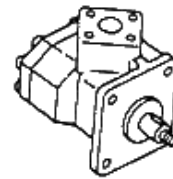
IP-4555 Strainer cover w/O-ring F20, F22, F24,
F215, F235, F255, F265
Repl. 194555-24220



HCS-4150 Spring, hyd control cover 1600, 1900, (3)
2500, 2620, 2820, 3000 Repl. 194150-45320

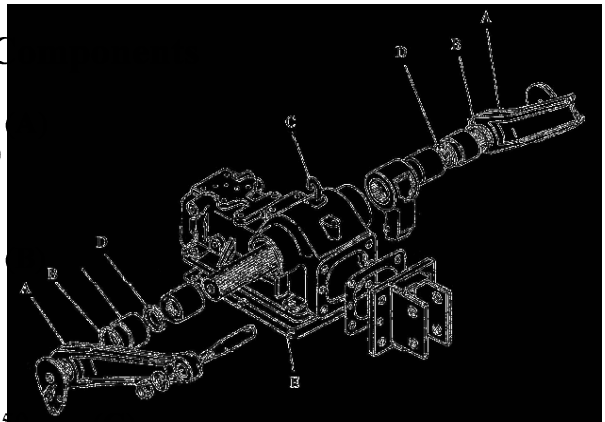
Hydraulic Pump, Line, and Filter

- HP-100** Hydraulic pump 135, 155D, 165D, 1300 Repl. 124064-26021
- HP-5A** Hydraulic pump (Repl. GP1-C-5A) 1500, 1600, 1700, 1900, 2000
Repl. 194150-41110
- HP-5C** Hydraulic pump (Repl. GP1-C-5C) 140, 146, 147, 1301, 1401,
1510, 1601, 1610, F14, F15, F16 Repl. 194420-41110
- HP-7C** Hydraulic pump (Repl. GP1-C-7C)
180, 186, 187, YMG1800, 1802, 1810, 1820, YMG2000,
2001, 2002, 2010, 2301, 2310, 2700 Repl. 194130-41120;
2200 Repl. 194100-41110
- HP-9A** Hydraulic pump (Repl. GP1-C-9A) 195, 240,
330, 2500, 2610, 3000, F22 Repl. 194145-41120
2210 Repl. 194240-41110
- HP-9AX** Hydraulic pump, splined shaft (Repl. GP1-C9AX) F20, FX20,
F24, FX24, F255, FX255 Repl. 194555-41120
- HP-9C** Hydraulic pump (Repl. GP1-C-9C) 220, 226, 250, 2020,
2202, 2220, 2420 Repl. 194361-41120 (old # 194432-41120)
1702, 1720 Repl. 194520-41120 (GP1-C7C)
- 14x25x7TC** Seal, hyd pump shaft Repl. 24421-142507 & 194320-41160
- HF-1120** Hydraulic filter, spin-on – for '02 & '20 series **(5)**
F14, F15, F16, F20, F22, F24, F215 Repl. 194250-48310
- HH-4170** Hose, hyd. return 1802, 1820, 2002, 2020, 2202, 2220, **(1)**
2402, 2420 Repl. 194170-48250
- HRH-4550** Hose, hyd. 1802, 1820, 2002, 2020, 2202, 2220, **(4)**
2402, 2420 Repl. 194550-48310
- HH-4150** Hose, hyd. 195, 240, 1100, 1500, 1700, 2000, 2210,
2500, 3000 Repl. 194150-48230 **(2)**



Hydraulic Lift Arm C

- LA-4300** Lift arm w/pin, L or R 1510 (HD)
Repl. 194300-44421 / 194300-44410
186 Repl. 194195-44411
- OR-450** Outer o-ring, rock shaft 187, 1510
F14, F15 Repl. 24321-000450
- AB-42280** Breather (vent) tube 195, 220, 240, 250, 1500, 1600, 1601, 1700, 2000, 2500, 3000 Repl. 194150-42280
(will not fit 2200 & 2700)
- OR-500** Rock shaft o-ring 195, 220, 226, 240, 250, 1500, 1600, 1601, 1610, 1700, 1702, 1720, YMG1800, 1802, 1810, 1900, 2000, YMG2000, 2001, 2002, 2010, 2210, 2210B, 2301, 2310, F17, FX17, F18, FX18 Repl. 24321-000500 (B)
- OR-600** Rock shaft o-ring 2500, 2610, 2620, 2820, 3000, 3110, 3810, 4300 Repl. 24321-000600 (old # 24325-000600) (B)
- OR-650** Rock shaft o-ring FX26, FX28, F37D, F46D, FX285, FX305, FX335, FX435 Repl. 24321-000651 (B)
- SS-4150** Splined rock shaft seal 195, 220, 226, 240, 250, 1500, 1600, 1601, 1610, 1700, 1702, 1720, YMG1800, 1802, 1810, 1900, 2000, YMG2000, 2001, 2002, 2010, 2210, 2210B, 2301, 2310, F17, FX17, F18, FX18 Repl. 194150-44261 (B)
- SS-4130** Splined rock shaft seal 330, 2500, 2610, 2620, 2820, 3000, 3110, 3810, 4300 Repl. 194130-44241 (D)
2200 w/bolt on end of rockshaft
- SS-4170** Splined rock shaft seal 276, 2020, 2202, 2220, 2402, 2420, F20, F22, F24, F215, F235, F265 Repl. 194170-44260 (D)
- OR-4170** Rock shaft o-ring (same application as SS-4170) Repl. 24321-000550 (B)
- SS-4640** Splined rock shaft seal FX26, FX28, FX32, FX42, FX285, FX335, FX435 Repl. 194640-44260 (D)



Continued on next page

Continued from previous page

- BUR-4130** Back up ring, hyd. Piston 226, 276, 330, (1)
YMG1800, 1810, YMG2000, 2001, 2200, 2202,
2210, 2210B, 2301, 2310, 2402, 2500, 2610, 2700,
3000, 3110, 4300, F20, FX20, F22, FX22,
F24, FX24, F215, FX215
70 mm ID Repl. 194130-43351
- OR-700** O-ring, hyd. piston 276, 330, 2202, 2402, (2)
2500, 2610, 3000, 3110, 4300 Repl. 24311-000700
- BUR-4150** Back up ring, hyd. piston 180, 186, 195, 240, 1500, (1)
1600, 1602, 1610, 1700, 1900, 2000
Repl. 194150-43350
- OR-550** O-ring, hyd. piston 180, 187, 195, 240, 1500, (2)
1600, 1601, 1602, 1610, 1700, 1900, 2000
Repl. 24311-000550
- BUR-4440** Back up ring, hyd. piston 186, 1510 (1)
Repl. 194440-43330
- OR-570** O-ring, hyd. piston 165, 186, 1100, 1300, (2)
1401, 1510, FF145D, FF155D
Repl. 24311-570500 (old # 24315-570500)
- HPP-4250** Hyd. piston packing 2620, 2820, 3220, 4220, (2)
FX26, FX28, FX32, F37D, FX42, F46D,
FX335, FX435 Repl. 194250-43330 (**75 mm**)
- AB-42280** Vent tube, common to many mdl's Repl. 194150-42280 (3)
- HCG-4197** Hyd. cover gasket 180, 187, 1602, F16 (4)
Repl. 194197-42150
- HCG-4145** Hyd. cover gasket 330, 336, 2500, 2610, 3000, (4)
3110, 4300 Repl. 194145-42152
- HCG-4312** Hyd. cover gasket 195, 226, 240, 1500, 1601, (4)
1610, 1700, 1702, 1720, YMG1800, 1802, 1810,
1820, 2000, YMG2000, 2002, 2010, 2210,
2310 Repl. 194312-42150(old # 194151-42150)
- OR-600** O-ring 240 Repl. 24321-000600 (6)

